

Rosemount™ 3300 Level Transmitter

Guided Wave Radar



- Accurate, direct level measurement virtually unaffected by process conditions
- Minimized maintenance with no moving parts and no re-calibration required
- Fewer process penetrations and reduced installation costs with a MultiVariable™ level and interface transmitter
- Easy installation and commissioning through two-wire technology and user-friendly configuration
- Versatile and easy-to-use transmitter with field proven reliability
- High application flexibility with a wide range of process connections, probe styles, and accessories

Proven, reliable, and easy to use guided wave radar

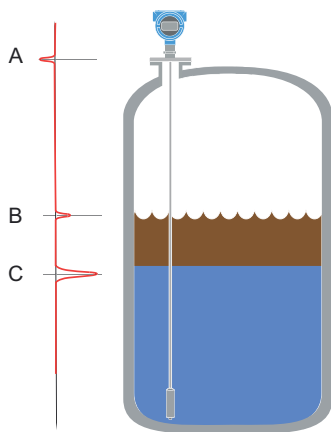
Measurement principle

Low power, nano-second microwave pulses are guided down a probe submerged in the process media. When a microwave pulse reaches a medium with a different dielectric constant, part of the energy is reflected back to the transmitter.

The transmitter uses the residual wave of the first reflection for measuring the interface level. Part of the wave, which was not reflected at the upper product surface, continues until it is reflected at the lower product surface. The speed of this wave depends fully on the dielectric constant of the upper product.

The time difference between the transmitted and the reflected pulse is converted into a distance, and the total level or interface level is then calculated. The reflection intensity depends on the dielectric constant of the product: the higher dielectric constant value, the stronger reflection.

Figure 1: Measurement Principle



- A. Reference pulse
- B. Level
- C. Interface level

Contents

Proven, reliable, and easy to use guided wave radar.....	2
Ordering information.....	6
Specifications.....	20
Installation and mounting considerations.....	38
Product certifications.....	44
Dimensional drawings.....	45

Guided wave radar technology benefits

- Direct level measurement means no compensation needed for changing process conditions (i.e. density, conductivity, temperature, and pressure)
- No moving parts and no re-calibration result in minimized maintenance
- Handles vapor and turbulence well
- Suitable for small tanks, difficult tank geometry, internal obstacles, and unaffected by the mechanical design of chambers
- Allows for easy upgrade
- Top down installation minimizes risk for leakages

Special Rosemount 3300 features

Proven high reliability increases uptime

- First 2-wire level and interface transmitter with field proven reliability
- More than 120,000 units installed
- Advanced signal processing for reliable measurement
- Accurate level unaffected by changing process conditions

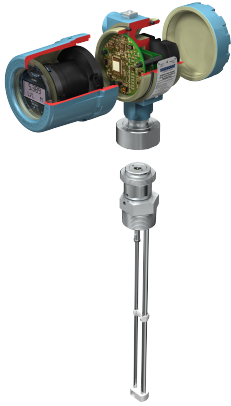


High application flexibility

- Suitable for most liquid storage and monitoring level and interface applications
- A wide selection of process connections and probe styles
- Remote mounting, mounting bracket, Emerson Wireless 775 THUM™ Adapter, HART® Tri-Loop™, and probe centering discs accessories
- Easy retrofit in existing chambers or available as complete assembly with high quality Rosemount chambers

Robust design reduces costs and increases safety

- Leakage prevention and reliable performance under challenging conditions
- Detachable transmitter head allows tank to remain sealed
- Dual Compartment housing separates cable connections and electronics



Easy installation and plant integration

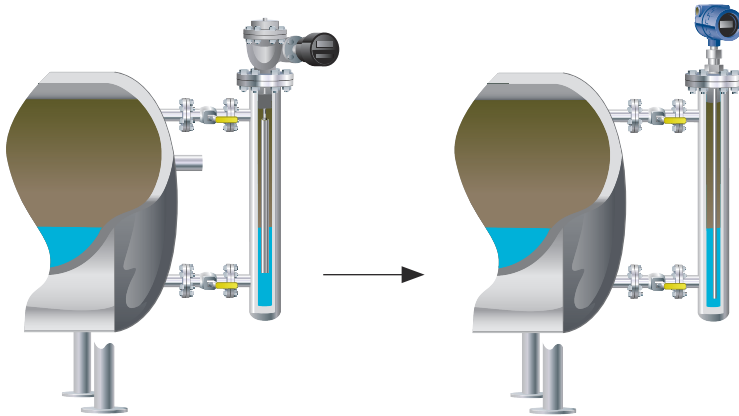
- Seamless system integration with HART, Modbus®, or IEC 62591 (*WirelessHART*®) with the THUM adapter
- Allows for easy swap by matching existing tank connections
- Cut-to-fit probes
- Long lengths of rigid probes for robust measurements becomes cost-effective and practical to ship, store and install with the segmented probe option (code 4S)
- Pre-configured or user-friendly configuration with wizard, autoconnect, dielectric calculator, and on-line help
- MultiVariable – measures simultaneously level and interface, resulting in fewer process penetrations and reduces installation and wiring cost

Minimized maintenance reduces cost

- No mechanical moving parts that require maintenance
- User-friendly software provides easy on-line troubleshooting with echo curve tool and logging
- Adjustments without opening tank
- No re-calibration or compensation needed due to changing process conditions

Easy replacement of old technology and best fit for chambers

- Less need for maintenance reduces costs and improves measurement availability
- Reliable measurement, independent of density, turbulence, and vibrations
- Unaffected by the mechanical configuration of the chamber
- Wide range of options to find the best fit in existing chamber or a complete assembly with Rosemount CMB high quality chambers

**Access information when you need it with asset tags**

Newly shipped devices include a unique QR code asset tag that enables you to access serialized information directly from the device. With this capability, you can:

- Access device drawings, diagrams, technical documentation, and troubleshooting information in your MyEmerson account
- Improve mean time to repair and maintain efficiency
- Ensure confidence that you have located the correct device
- Eliminate the time-consuming process of locating and transcribing nameplates to view asset information

Ordering information

Online product configurator

Many products are configurable online using our Product Configurator. Select the **Configure** button or visit our [website](#) to start. With this tool's built-in logic and continuous validation, you can configure your products more quickly and accurately.

Specifications and options

See the Specifications and options section for more details on each configuration. Specification and selection of product materials, options, or components must be made by the purchaser of the equipment. See the Material selection section for more information.

Model codes

Model codes contain the details related to each product. Exact model codes will vary; an example of a typical model code is shown in [Figure 2](#).

Figure 2: Model Code Example

<u>3302 HS 1 S 1 V 4B E 10 27 RA I7</u>	<u>M5 B2 WR3</u>
1	2

1. Required model components (choices available on most)
2. Additional options (variety of features and functions that may be added to products)

Optimizing lead time

The starred offerings (★) represent the most common options and should be selected for the fastest delivery times. The non-starred offerings are subject to additional delivery lead time.

Rosemount 3300 Level Transmitter



Rosemount 3301 and 3302 Guided Wave Radar Level transmitters are versatile and easy-to-use with field proven measurement capabilities.

- High application flexibility with a wide range of probe styles, process connections, and materials
- HART® 4-20 mA, Modbus®, or IEC 62591 (*WirelessHART®*) with the THUM adapter
- Radar Configuration Tool software package included for easy commissioning and troubleshooting

Rosemount 3301 Level Transmitter:

[CONFIGURE >](#)

[VIEW PRODUCT >](#)

Rosemount 3302 Level Transmitter:

[CONFIGURE >](#)

[VIEW PRODUCT >](#)

Required model components

Model

Code	Description	
3301	Guided Wave Radar Level Transmitter (interface available for fully submerged probe)	★
3302	Guided Wave Radar Level and Interface Transmitter	★

Signal output

Code	Description	
H	4-20 mA with digital signal based on HART Revision 5 protocol	★
M ⁽¹⁾	RS-485 with Modbus communication	★

(1) Requires external 8-30 Vdc power supply.

Related information

[4-20 mA HART](#)

[Modbus](#)

Housing material

Code	Description	
A	Polyurethane-covered Aluminum	★
S	Stainless Steel, Grade CF8M (ASTM A743)	

Conduit / cable threads

Code	Description	
1	½-14 NPT	1 plug included ★
2	M20 x 1.5 adapter	1 adapter and 1 plug included ★
G ⁽¹⁾⁽²⁾	Metal cable gland (½ - 14 NPT)	2 glands and 1 plug included ★

(1) Not available with explosion-proof or flameproof approvals.

(2) Minimum temperature is -20 °C (-4 °F).

Operating temperature and pressure

Process seal rating. Final rating depends on flange and O-ring selection.

Code	Description		Probe type	
S	Design and operating temperature: -40 to 302 °F (-40 to 150 °C)	Design and operating pressure: -15 to 580 psig (-1 to 40 bar)	3301: All 3302: 1A, 2A, 3B, 4A, 4B, and 4S	★

Related information

[Process temperature and pressure rating](#)

Material of construction; process connection/probe

For other materials, consult the factory.

Code	Description	Probe type	
1 ⁽¹⁾	316/316L/EN 1.4404	3301: All 3302: 1A, 2A, 3B, 4A, 4B, and 4S	★
2	Alloy C-276 (UNS N10276). With plate design if flanged version.	3301: 3A, 3B, 4A, 4B, 5A, and 5B 3302: 3B, 4A, 4B, 5A, and 5B	
3	Alloy 400 (UNS N04400). With plate design if flanged version.	3301: 3A, 3B, 4A, 4B, 5A, and 5B 3302: 3B, 4A, and 4B	
7	PTFE covered probe and flange. With plate design.	3301: 4A and 5A, Flanged version 3302: 4A, Flanged version	
8	PTFE covered probe	3301: 4A and 5A 3302: 4A	

(1) ASME flanges dual certified 316/316L.

Sealing O-ring material

For other materials, consult the factory.

Code	Description	
V	Fluoroelastomer (FKM)	★
E	Ethylene Propylene (EPDM)	★
K	Kalrez® Perfluoroelastomer (FFKM)	★
B	Nitrile Butadiene (NBR)	★

Probe type, model 3301

Code	Description	Process connection	Probe lengths	
3B	Coaxial, perforated. For level and interface measurement.	Flange / 1-in., 1½-in., 2-in. Thread	Min.: 1 ft. 4 in. (0.4 m) Max: 19 ft. 8 in. (6 m)	★
4B ⁽¹⁾	Rigid Single Lead 0.5 in. (13 mm)	Flange / 1-in., 1½-in., 2-in. Thread / Tri-Clamp®	Min.: 1 ft. 4 in. (0.4 m) Max: 19 ft. 8 in. (6.0 m)	★
5A	Flexible Single Lead with weight	Flange / 1-in., 1½-in., 2-in. Thread / Tri-Clamp	Min.: 3 ft. 4 in. (1 m) Max: 77 ft. (23.5 m)	★
1A	Rigid Twin Lead	Flange / 1½-in., 2-in. Thread	Min.: 1 ft. 4 in. (0.4 m) Max: 9 ft. 10 in. (3 m)	

Code	Description	Process connection	Probe lengths
2A	Flexible Twin Lead with weight	Flange / 1½-in., 2-in. Thread	Min.: 3 ft. 4 in. (1 m) Max: 77 ft. (23.5 m)
3A	Coaxial (for level measurement)	Flange / 1-in., 1½-in., 2-in. Thread	Min.: 1 ft. 4 in. (0.4 m) Max: 19 ft. 8 in. (6 m)
4A	Rigid Single Lead 0.3 in. (8 mm)	Flange / 1-in., 1½-in., 2-in. Thread / Tri-Clamp	Min.: 1 ft. 4 in. (0.4 m) Max: 9 ft. 10 in. (3 m)
4S	Segmented Rigid Single Lead 0.5 in. (13 mm)	Flange / 1-in., 1½-in., 2-in. Thread / Tri-Clamp	Min.: 1 ft. 4 in. (0.4 m) Max: 19 ft. 8 in. (6.0 m)
5B	Flexible Single Lead with chuck	Flange / 1-in., 1½-in., 2-in. Thread / Tri-Clamp	Min.: 3 ft. 4 in. (1 m) Max: 77 ft. (23.5 m)

(1) Available in SST. Consult the factory for other materials.

Probe type, model 3302

Code	Description	Process connection	Probe lengths
3B	Coaxial, perforated. For level and interface measurement.	Flange / 1-in., 1½-in., 2-in. Thread	Min.: 1 ft. 4 in. (0.4 m) Max: 19 ft. 8 in. (6 m) ★
4B ⁽¹⁾	Rigid Single Lead 0.5 in. (13 mm)	Flange / 1-in., 1½-in., 2-in. Thread / Tri-Clamp	Min.: 1 ft. 4 in. (0.4 m) Max: 19 ft. 8 in. (6.0 m) ★
1A	Rigid Twin Lead	Flange / 1½-in., 2-in. Thread	Min.: 1 ft. 4 in. (0.4 m) Max: 9 ft. 10 in. (3 m)
2A	Flexible Twin Lead with weight	Flange / 1½-in., 2-in. Thread	Min.: 3 ft. 4 in. (1 m) Max: 77 ft. (23.5 m)
4A	Rigid Single Lead 0.3 in. (8 mm)	Flange / 1-in., 1½-in., 2-in. Thread / Tri-Clamp	Min.: 1 ft. 4 in. (0.4 m) Max: 9 ft. 10 in. (3 m)
4S	Segmented Rigid Single Lead 0.5 in. (13 mm)	Flange / 1-in., 1½-in., 2-in. Thread / Tri-Clamp	Min.: 1 ft. 4 in. (0.4 m) Max: 19 ft. 8 in. (6.0 m)

(1) Available in SST. Consult the factory for other materials.

Probe length units

Code	Description
E	English (feet, inches) ★
M	Metric (meters, centimeters) ★

Total probe length (feet/m)

Probe weight included if applicable. Give the total probe length in feet and inches or meters and centimeters, depending on selected probe length unit. If tank height is unknown, please round up to an even length when ordering. Probes can be cut to exact length in field. Maximum allowable length is determined by process conditions.

Code	Description
XX	0 - 77 ft. or 0-23 m ★

Total probe length (inch/cm)

Probe weight included if applicable. Give the total probe length in feet and inches or meters and centimeters, depending on selected probe length unit. If tank height is unknown, please round up to an even length when ordering. Probes can be cut to exact length in field. Maximum allowable length is determined by process conditions.

Code	Description	
XX	0 - 11 in. or 0-99 cm	★

Process connection - size/type

Consult factory for other process connections.

Code	Description	
ASME B16.5 flanges ⁽¹⁾⁽²⁾		
AA ⁽³⁾	2-in. Class 150, RF (Raised Face Type)	★
AB ⁽³⁾	2-in. Class 300, RF (Raised Face Type)	★
BA ⁽³⁾	3-in. Class 150, RF (Raised Face Type)	★
BB ⁽³⁾	3-in. Class 300, RF (Raised Face Type)	★
CA ⁽³⁾	4-in. Class 150, RF (Raised Face Type)	★
CB ⁽³⁾	4-in. Class 300, RF (Raised Face Type)	★
DA	6-in. Class 150, RF (Raised Face Type)	
EN 1092-1 flanges ⁽¹⁾⁽⁴⁾		
HB	DN50, PN40, Type A flat face	★
IA	DN80, PN16, Type A flat face	★
IB	DN80, PN40, Type A flat face	★
JA	DN100, PN16, Type A flat face	★
JB	DN100, PN40, Type A flat face	★
KA	DN150, PN16, Type A flat face	
JIS flanges ⁽¹⁾⁽⁴⁾		
UA	50A, 10K, RF (Raised Face Type)	★
VA	80A, 10K, RF (Raised Face Type)	★
XA	100A, 10K, RF (Raised Face Type)	★
UB	50A, 20K, RF (Raised Face Type)	
VB	80A, 20K, RF (Raised Face Type)	
XB	100A, 20K, RF (Raised Face Type)	
YA	150A, 10K, RF (Raised Face Type)	
YB	150A, 20K, RF (Raised Face Type)	
ZA	200A, 10K, RF (Raised Face Type)	
ZB	200A, 20K, RF (Raised Face Type)	
Threaded connections ⁽¹⁾		Probe type
RA	1½-in. NPT thread	3301: All 3302: 1A, 2A, 3B, 4A, 4B, and 4S

Code	Description		
RC	2-in. NPT thread	3301: 1A, 2A, 3A, 3B, 4A, 4B, 4S, 5A, and 5B 3302: 1A, 2A, 3B, 4A, 4B, and 4S	★
RB	1-in. NPT thread	3301: 3A, 3B, 4A, 4B, 4S, 5A, and 5B 3302: 3B, 4A, 4B, and 4S	
SA ⁽⁴⁾	1½-in. BSP (G 1½-in.) thread	3301: All 3302: 1A, 2A, 3B, 4A, 4B, and 4S	
SB ⁽⁴⁾	1-in. BSP (G 1-in.) thread	3301: 3A, 3B, 4A, 4B, 4S, 5A, and 5B 3302: 3B, 4A, 4B, and 4S	
Tri-Clamp fittings ⁽¹⁾⁽⁵⁾		Probe type	
FT	1½-in. Tri-Clamp	3301: 4A, 4B, 4S, 5A, and 5B 3302: 4A, 4B, and 4S	
AT	2-in. Tri-Clamp	3301: 4A, 4B, 4S, 5A, and 5B 3302: 4A, 4B, and 4S	
BT	3-in. Tri-Clamp	3301: 4A, 4B, 4S, 5A, and 5B 3302: 4A, 4B, and 4S	
CT	4-in. Tri-Clamp	3301: 4A, 4B, 4S, 5A, and 5B 3302: 4A, 4B, and 4S	
Proprietary flanges			
TF	Fisher™ - proprietary 316/316L (for 249B, 259B chambers) Torque Tube Flange		★
TT	Fisher - proprietary 316/316L (for 249C chambers) Torque Tube Flange		★
TM	Masoneilan™ - proprietary 316/316L Torque Tube Flange		★

(1) Available in material 316/316L and EN 1.4404. For other materials consult the factory.

(2) Design according to ASME B31.3. No code stamp or ASME certificate available.

(3) Forged one-piece flange provided for Material of construction code 1, 7 or 8, together with Probe type code 3A, 3B, 4A, 4B, 4S, 5A, or 5B. Welded construction provided for other combinations.

(4) Not available with Canadian Registration Number (CRN).

(5) Follows ISO 2852 standard.

Related information

[Process temperature and pressure rating](#)

[Flange rating](#)

[Tri Clamp rating](#)

Hazardous locations certifications

Code	Description	
NA	No Hazardous Locations Certifications	★
E1 ⁽¹⁾	ATEX Flameproof	★
E3 ⁽¹⁾	China Flameproof	★
E5 ⁽¹⁾	USA Explosion-proof	★
E6 ⁽¹⁾	Canadian Explosion-proof	★
E7 ⁽¹⁾	IECEx Flameproof	★
I1	ATEX Intrinsic Safety	★
I3	China Intrinsic Safety	★
I5	USA Intrinsic Safety and Non-Incendive	★
I6	Canadian Intrinsic Safety and Non-Incendive	★
I7	IECEx Intrinsic Safety	★
EW	India PESO Flameproof	
IW	India PESO Intrinsic Safety	
KB ⁽¹⁾	USA and Canadian Explosion-proof	

(1) Probes are intrinsically safe.

Additional options

Display

Code	Description	
M1	Integral digital display	★

Hydrostatic testing

Available for tank connection with flange.

Code	Description	
P1	Hydrostatic testing, including certificate	★

Materials certification

Available for probe type 3A, 3B, 4A, 4B, and 4S.

Code	Description	
N2	NACE® material recommendation per NACE MR0175/ISO 15156 and NACE MR0103/ISO 17945	★

Installation options

Code	Description	
LS ⁽¹⁾	Long stud 9.8 in (250 mm) for flexible single lead probe to prevent contact with wall/nozzle. Standard stud length is 3.9 in (100 mm).	★
BR	316L Mounting Bracket for 1½-in. NPT Process Connection (RA)	

(1) Not available with PTFE covered probes.

Weight and anchoring options for flexible single probes

Code	Description	
W3	Heavy Weight (for most applications)	★
W2 ⁽¹⁾	Short Weight (when measuring close to the probe end)	

(1) Only for Material of Construction code 1 and Probe Type 5A.

Related information

[Dimensional drawings](#)

Centering disc

Available for SST, Alloy C-276, and Alloy 400 probes, types 2A, 4A, 4B, 4S, and 5A.

Not available with PTFE covered probes (Material of Construction codes 7 and 8).

Code	Description	
S2 ⁽¹⁾	2-in. Centering disc	★
S3 ⁽¹⁾	3-in. Centering disc	★
S4 ⁽¹⁾	4-in. Centering disc	★
P2	2-in. Centering disc PTFE	★
P3	3-in. Centering disc PTFE	★
P4	4-in. Centering disc PTFE	★
S6 ⁽¹⁾	6-in. Centering disc	
S8 ⁽¹⁾	8-in. Centering disc	
P6	6-in. Centering disc PTFE	
P8	8-in. Centering disc PTFE	

(1) Centering disc in same material as probe material of construction.

Related information

[Centering disc for pipe installations](#)

Remote housing

Requires software version 10 or higher.

Code	Description	
B1	1 m/3.2 ft. Remote housing mounting cable and 316L bracket	
B2	2 m/6.5 ft. Remote housing mounting cable and 316L bracket	
B3	3 m/9.8 ft. Remote housing mounting cable and 316L bracket	

Related information

[Dimensional drawings](#)

Factory configuration

Code	Description	
C1	Factory configuration per Configuration Data Sheet	★

Alarm limits

Code	Description	
C4	NAMUR alarm and saturation levels, high alarm	★
C5	NAMUR alarm and saturation levels, low alarm	★
C8 ⁽¹⁾	Standard Rosemount alarm and saturation levels, low alarm	★

(1) *The standard alarm setting is high.*

Special quality assurance

Code	Description	
Q4	Calibration data certificate	★

Quality traceability certification

Certificate includes all pressure retaining wetted parts.

Code	Description	
Q8	Material traceability certification consistent with ISO10474-3.1:2013 / EN10204-3.1:2004	★

Welding procedure qualification record documentation

Only applies to flanged process connections with welded construction or protective plate design.

Weldings in accordance with EN/ISO standards.

Code	Description	
Q66	Welding Procedure Qualification Record (WPQR)	★

Dye penetration test certificate

Only applies to flanged process connections with welded construction or protective plate design.

Code	Description	
Q73	Certificate of liquid penetrant inspection	★

Positive material identification certificate

Code	Description	
Q76	Positive material identification certificate of conformance	★

Overfill prevention

Code	Description	
U1	Overfill prevention according to WHG/TUV	★

Assemble/consolidate to chamber

Selecting the XC option code on the Rosemount 3300 and a Rosemount chamber will result in matching, consolidating, configuring, and shipping of the two products in one crate. Note that the flange bolts are only hand-tightened. Long rigid single lead probes (>8 ft./2.5 m) are ship separately in order to reduce transportation risk damage.

Code	Description	
XC	Consolidate to Chamber	★

Specials

Code	Description	
RXXXX	Custom engineered solutions beyond standard model codes. Consult factory for details.	

Accessories

Weight kit

Item number	Description	
03300-7001-0002	Weight kit flexible twin lead	
03300-7001-0003	Weight kit flexible 4 mm single lead	
03300-7001-0004	Weight kit flexible 6 mm single lead	

Centering discs for rigid single lead probe (d=0.3 in./8 mm)

If a centering disc is required for a flanged probe, the centering disc can be ordered with options Sx or Px in the model code. If a centering disc is required for a threaded connection, or as a spare part, it should be ordered using the item numbers listed in this table.

For other materials, consult the factory.

Item number	Description	Outer diameter	
03300-1655-0001	Kit, 2-in. Centering disc, SST	1.8 in. (45 mm)	★
03300-1655-0006	Kit, 2-in. Centering disc, PTFE	1.8 in. (45 mm)	★
03300-1655-0002	Kit, 3-in. Centering disc, SST	2.7 in. (68 mm)	★
03300-1655-0007	Kit, 3-in. Centering disc, PTFE	2.7 in. (68 mm)	★
03300-1655-0003	Kit, 4-in. Centering disc, SST	3.6 in. (92 mm)	★
03300-1655-0008	Kit, 4-in. Centering disc, PTFE	3.6 in. (92 mm)	★
03300-1655-0004	Kit, 6-in. Centering disc, SST	5.55 in. (141 mm)	
03300-1655-0009	Kit, 6-in. Centering disc, PTFE	5.55 in. (141 mm)	
03300-1655-0005	Kit, 8-in. Centering disc, SST	7.40 in. (188 mm)	
03300-1655-0010	Kit, 8-in. Centering disc, PTFE	7.40 in. (188 mm)	

Related information

[Centering disc for pipe installations](#)

Centering discs for rigid single lead probe (d=0.5 in./13 mm)

If a centering disc is required for a flanged probe, the centering disc can be ordered with options Sx or Px in the model code. If a centering disc is required for a threaded connection, or as a spare part, it should be ordered using the item numbers listed in this table.

For other materials, consult the factory.

Item number	Description	Outer diameter	
03300-1655-0301	Kit, 2-in. Centering disc, SST	1.8 in. (45 mm)	★
03300-1655-0306	Kit, 2-in. Centering disc, PTFE	1.8 in. (45 mm)	★
03300-1655-0302	Kit, 3-in. Centering disc, SST	2.7 in. (68 mm)	★
03300-1655-0307	Kit, 3-in. Centering disc, PTFE	2.7 in. (68 mm)	★
03300-1655-0303	Kit, 4-in. Centering disc, SST	3.6 in. (92 mm)	★
03300-1655-0308	Kit, 4-in. Centering disc, PTFE	3.6 in. (92 mm)	★
03300-1655-0304	Kit, 6-in. Centering disc, SST	5.55 in. (141 mm)	

Item number	Description	Outer diameter	
03300-1655-0309	Kit, 6-in. Centering disc, PTFE	5.55 in. (141 mm)	
03300-1655-0305	Kit, 8-in. Centering disc, SST	7.40 in. (188 mm)	
03300-1655-0310	Kit, 8-in. Centering disc, PTFE	7.40 in. (188 mm)	

Related information

[Centering disc for pipe installations](#)

Snap-on centering discs for flexible single lead probes

Maximum temperature for the snap-on centering discs is 392 °F (200 °C).

Item number	Description		
03300-1658-0001	Kit, 2- to 4-in. snap-on centering disc, PEEK, 1 pc		
03300-1658-0002	Kit, 2- to 4-in. snap-on centering disc, PEEK, 3 pcs		
03300-1658-0003	Kit, 2- to 4-in. snap-on centering disc, PEEK, 5 pcs		

Centering discs for flexible single/twin lead probes

If a centering disc is required for a flanged probe, the centering disc can be ordered with options Sx or Px in the model code. If a centering disc is required for a threaded connection, or as a spare part, it should be ordered using the item numbers listed in this table.

For other materials, consult the factory.

Item number	Description	Outer diameter	
03300-1655-1001	Kit, 2-in. Centering disc, SST	1.8 in. (45 mm)	★
03300-1655-1006	Kit, 2-in. Centering disc, PTFE	1.8 in. (45 mm)	★
03300-1655-1002	Kit, 3-in. Centering disc, SST	2.7 in. (68 mm)	★
03300-1655-1007	Kit, 3-in. Centering disc, PTFE	2.7 in. (68 mm)	★
03300-1655-1003	Kit, 4-in. Centering disc, SST	3.6 in. (92 mm)	★
03300-1655-1008	Kit, 4-in. Centering disc, PTFE	3.6 in. (92 mm)	★
03300-1655-1004	Kit, 6-in. Centering disc, SST	5.55 in. (141 mm)	
03300-1655-1009	Kit, 6-in. Centering disc, PTFE	5.55 in. (141 mm)	
03300-1655-1005	Kit, 8-in. Centering disc, SST,	7.40 in. (188 mm)	
03300-1655-1010	Kit, 8-in. Centering disc, PTFE	7.40 in. (188 mm)	

Related information

[Centering disc for pipe installations](#)

Centering discs for mounting between segments (probe type 4S only)

Item number	Description	Outer diameter	
03300-1656-1002	2-in. Centering disc (1 pc), PTFE, Segmented rigid single lead	1.8 in. (45 mm)	
03300-1656-1003	3-in. Centering disc (1 pc), PTFE, Segmented rigid single lead	2.7 in. (68 mm)	
03300-1656-1004	4-in. Centering disc (1 pc), PTFE, Segmented rigid single lead	3.6 in. (92 mm)	

Item number	Description	Outer diameter
03300-1656-1006	6-in. Centering disc (1 pc), PTFE, Segmented rigid single lead	5.55 in. (141 mm)
03300-1656-1008	8-in. Centering disc (1 pc), PTFE, Segmented rigid single lead	7.40 in. (188 mm)
03300-1656-3002	2-in. Centering disc (3 pcs), PTFE, Segmented rigid single lead	1.8 in. (45 mm)
03300-1656-3003	3-in. Centering disc (3 pcs), PTFE, Segmented rigid single lead	2.7 in. (68 mm)
03300-1656-3004	4-in. Centering disc (3 pcs), PTFE, Segmented rigid single lead	3.6 in. (92 mm)
03300-1656-3006	6-in. Centering disc (3 pcs), PTFE, Segmented rigid single lead	5.55 in. (141 mm)
03300-1656-3008	8-in. Centering disc (3 pcs), PTFE, Segmented rigid single lead	7.40 in. (188 mm)
03300-1656-5002	2-in. Centering disc (5 pcs), PTFE, Segmented rigid single lead	1.8 in. (45 mm)
03300-1656-5003	3-in. Centering disc (5 pcs), PTFE, Segmented rigid single lead	2.7 in. (68 mm)
03300-1656-5004	4-in. Centering disc (5 pcs), PTFE, Segmented rigid single lead	3.6 in. (92 mm)
03300-1656-5006	6-in. Centering disc (5 pcs), PTFE, Segmented rigid single lead	5.55 in. (141 mm)
03300-1656-5008	8-in. Centering disc (5 pcs), PTFE, Segmented rigid single lead	7.40 in. (188 mm)

Segmented rigid single lead probe spare part kit

Item number	Description
03300-0050-0001	15.2 in. / 385 mm Segment for Top connection (1 pc)
03300-0050-0002	31.5 in. / 800 mm Segment (1 pc)
03300-0050-0003	31.5 in. / 800 mm Segment (3 pcs)
03300-0050-0004	31.5 in. / 800 mm Segment (5 pcs)
03300-0050-0005	31.5 in. / 800 mm Segment (12 pcs)

Vented flanges

1-½ in. NPT threaded connection (RA) is required.

Not available with Canadian Registration Number (CRN).

Item number	Description
03300-1812-0092	Fisher™ (249B, 259B), one ¼-in. NPT connection, 316/316L
03300-1812-0093	Fisher (249C), one ¼-in. NPT connection, 316/316L
03300-1812-0091	Masoneilan™, one ¼-in. NPT connection, 316/316L

Flushing connection rings

Not available with Canadian Registration Number (CRN).

Item number	Description
DP0002-2111-S6	2-in. ANSI, one ¼-in. NPT connection, 316L
DP0002-3111-S6	3-in. ANSI, one ¼-in. NPT connection, 316L
DP0002-4111-S6	4-in. ANSI/DN100, one ¼-in. NPT connection, 316L
DP0002-5111-S6	DN50, one ¼-in. NPT connection, 316L
DP0002-8111-S6	DN80, one ¼-in. NPT connection, 316L

HART modem and cables

Item number	Description	
03300-7004-0002	MACTek® VIATOR® HART Modem and cables (USB connection)	★
03300-7004-0001	MACTek VIATOR HART Modem and cables (RS232 connection)	★

Remote housing mounting spare part kit

Item number	Description	
03300-7006-0001	1 m / 3.2 ft. Remote Housing Mounting Cable and 316L Bracket	
03300-7006-0002	2 m / 6.5 ft. Remote Housing Mounting Cable and 316L Bracket	
03300-7006-0003	3 m / 9.8 ft. Remote Housing Mounting Cable and 316L Bracket	

Specifications

Performance specifications

General

Reference conditions

Twin Lead probe, 77 °F (25 °C) water

Reference accuracy

± 0.2 in. (5 mm) for probes ≤16.4 ft. (5 m)

± 0.1% of measured distance for rigid probes >16.4 ft. (5 m)

± 0.15% of measured distance for flexible probes >16.4 ft. (5 m)

For probes with spacers, the accuracy may deviate close to the spacers. Accuracy may be affected by remote housing.

Repeatability

± 0.04 in. (1 mm)⁽¹⁾

Ambient temperature effect

Less than 0.01% of measured distance per °C

Update interval

Minimum 1 update per second

Environment

Vibration resistance

- Polyurethane-covered aluminum housing: IEC 60770-1
- SST housing: IACS E10

Electromagnetic compatibility

Emission and Immunity: meets EN 61326-1 (2006) and amendment A1, class A equipment intended for use in industrial locations if installed in metallic vessels or still-pipes.

When rigid/flexible single and twin lead probes are installed in non-metallic or open vessels, influence of strong electromagnetic fields might affect measurements.

Related information

[Installation in non-metallic tanks and open-air applications](#)

CE-mark

The 4–20 mA HART version (Output Option Code H) complies with applicable directives (EMC and ATEX).

Built-in lightning protection

Meets EN 61000-4-4 Severity Level 4 and EN 61000-4-5 Severity Level 4

(1) In accordance with IEC 60770-1. See the IEC 60770-1 standard for a definition of radar specific performance parameters and if applicable corresponding test procedures.

Contamination/product build-up

- Single lead probes are preferred when there is a risk of contamination (because build-up can result in the product bridging across the two leads for twin versions; between the inner lead and outer pipe for the coaxial probe).
- For viscous or sticky applications, PTFE probes are recommended. Periodic cleaning may also be required.
- For viscous or sticky applications, it is not recommended to use centering discs mounted along the single lead probe.
- Maximum error due to coating is 1 to 10% depending on probe type, dielectric constant, coating thickness, and coating height above product surface.

Table 1: Maximum Recommended Viscosity and Contamination/Build-up

Probe type	Maximum viscosity	Contamination/build-up
Single lead	8000 cP ⁽¹⁾	Build-up allowed
Twin lead	1500 cP	Thin build-up allowed, but no bridging
Coaxial	500 cP	Not recommended

(1) Consult your local Emerson representative in the case of agitation/turbulence and high viscous products.

Measuring range

Measuring range and minimum dielectric constant

See [Table 2](#) and [Table 3](#) for each probe's measuring range and minimum dielectric constant. Due to the measuring range depending on the application and factors described below, the values are a guideline for clean liquids. For more information, ask your local Emerson representative.

Note

See [Table 4](#) for the measuring range when using the Remote Housing.

Different parameters (factors) affect the echo and therefore the maximum measuring range differs depending on application according to:

- Disturbing objects close to the probe.
- Media with higher dielectric constant (ϵ_r) gives better reflection and allows a longer measuring range.
- Surface foam and particles in the tank atmosphere may affect measuring performance.
- Heavy product build-up or contamination on the probe should be avoided since it can reduce measuring range and might cause erroneous level readings.

Table 2: Maximum Measuring Range

Probe type	Maximum measuring range
Rigid single lead/segmented rigid single lead	9 ft. 10 in. (3 m) for 8 mm probes (code 4A) 19 ft. 8 in. (6 m) for 13 mm probes (code 4B) 19 ft. 8 in. (6 m) for 13 mm probes (code 4S)
Flexible single lead	77 ft. 1 in. (23.5 m)
Coaxial	19 ft. 8 in. (6 m)
Rigid twin lead	9 ft. 10 in. (3 m)
Flexible twin lead	77 ft. 1 in. (23.5 m)

Table 3: Minimum Dielectric Constant

Probe type	Minimum dielectric constant
Rigid single lead/segmented rigid single lead	2.5 ⁽¹⁾ (1.7 if installed in a metallic bypass or stilling well)
Flexible single lead	2.5 up to 36 ft. (11 m) ⁽²⁾ 5.0 up to 66 ft. (20 m) 7.5 up to 77 ft. 1 in. (23.5 m)
Coaxial	1.5
Rigid twin lead	1.9
Flexible twin lead	1.6 up to 33 ft. (10 m) 2.0 up to 66 ft. (20 m) 2.4 up to 77 ft. 1 in. (23.5 m)

(1) *May be lower depending on installation.*

(2) *In pipes with a diameter less than 8 in. (20 cm), the minimum dielectric constant is 2.0.*

Table 4: Measuring Range and Minimum Dielectric Constant when using Remote Housing

	Rigid single lead/ segmented rigid single lead	Flexible single lead	Coaxial	Rigid twin lead	Flexible twin lead
Maximum measuring range	9 ft. 10 in. (3 m) for 8 mm probes 14 ft. 9 in. (4.5 m) for 13 mm probes	77 ft. 1 in. (23.5 m)	19 ft. 8 in. (6 m)	9 ft. 10 in. (3 m)	77 ft. 1 in. (23.5 m)
Minimum dielectric constant with 1 m remote housing	2.7 ⁽¹⁾ (2.0 if installed in a metallic bypass or stilling well)	2.7 up to 36 ft. (11 m) 6 up to 66 ft. (20 m) 10 up to 72 ft. (22 m)	1.5	2.1	1.7 up to 33 ft. (10 m) 2.2 up to 66 ft. (20 m) 2.6 up to 72 ft. (22 m)
Minimum dielectric constant with 2 m remote housing	3.3 ⁽¹⁾ (2.2 if installed in a metallic bypass or stilling well)	3.2 up to 36 ft. (11 m) 8 up to 67 ft. (20.5 m)	1.6	2.5	1.8 up to 33 ft. (10 m) 2.4 up to 67 ft. (20.5 m)
Minimum dielectric constant with 3 m remote housing	3.8 ⁽¹⁾ (2.5 if installed in a metallic bypass or stilling well)	3.7 up to 36 ft. (11 m) 11 up to 62 ft. (19 m)	1.7	2.8	2.0 up to 33 ft. (10 m) 2.7 up to 62 ft. (19 m)

(1) *May be lower depending on installation.*

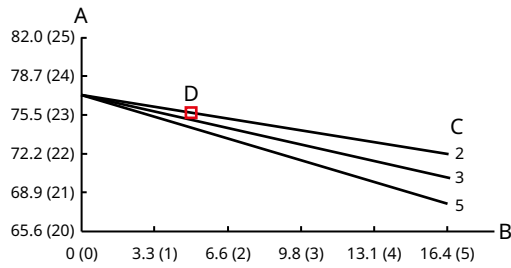
Interface measuring range

The maximum allowable upper product thickness/measuring range is primarily determined by the dielectric constants of the two liquids.

Typical applications include interfaces between oil/oil-like and water/water-like liquids, with a low (<3) dielectric constant for the upper product and a high (>20) dielectric constant for the lower product. For such applications, the maximum measuring range is limited by the length of the coaxial, rigid twin, and rigid single lead probes.

For the flexible twin lead probe, the maximum measuring range will be reduced depending on the maximum upper product thickness according to [Figure 3](#). However, characteristics vary between different applications. For other product combinations, consult your local Emerson representative.

Figure 3: Interface Level Measurement



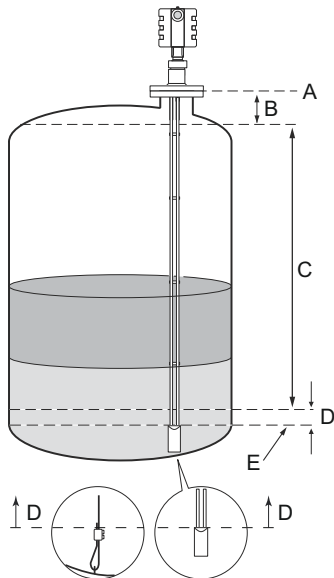
- A. Maximum measuring range, ft. (m)
- B. Maximum upper product thickness, ft. (m)
- C. Upper product dielectric constant
- D. Example: If the upper product dielectric constant is 2, and the upper product thickness is 5 ft. (1.5 m), the maximum measuring range is 75.5 ft. (23 m).

Transition zones

These zones are areas where measurements are non-linear or have reduced accuracy. If measurements are desired at the very top of a tank, it is possible to mechanically extend the nozzle and use a coaxial probe. The upper transition zone is then moved into the extension. See Table 5.

For a flexible single lead probe with chuck, the lower transition zone is measured upwards from the upper part of the clamp.

Figure 4: Transition Zones



- A. Upper Reference Point
- B. Upper Transition Zone
- C. Maximum Recommended Measuring Range
- D. Lower Transition Zone
- E. Lower Reference Point

Table 5: Transition Zones

	Dielectric Constant	Rigid single lead/ segmented rigid single lead	Flexible single lead	Coaxial	Rigid twin lead	Flexible twin lead
Upper Transition Zone ⁽¹⁾	80	4 in. (10 cm)	5.9 in. (15 cm)	4 in. (10 cm)	4 in. (10 cm)	5.9 in. (15 cm)
	2	4 in. (10 cm)	20 in. (50 cm)	4 in. (10 cm)	4 in. (10 cm)	8 in. (20 cm)
Lower Transition Zone ⁽²⁾	80	2 in. (5 cm)	2 in. (5 cm) ⁽³⁾⁽⁴⁾	1.2 in. (3 cm)	2 in. (5 cm)	2 in. (5 cm) ⁽⁴⁾
	2	4 in. (10 cm)	6.3 in. (16 cm) - long weight, short weight, and chuck ⁽⁴⁾⁽⁵⁾	2 in. (5 cm)	2.8 in. (7 cm)	5.9 in. (15 cm) ⁽⁴⁾⁽⁵⁾

(1) The distance from the upper reference point where measurements have reduced accuracy.

(2) The distance from the lower reference point where measurements have reduced accuracy.

(3) The measuring range for the PTFE covered Flexible Single Lead probe includes the weight when measuring on a high dielectric media.

(4) Note that the weight length or chuck fastening length adds to non-measurable area and is not included in the diagram.

(5) When using a metallic centering disc, the lower transition zone is 8 in. (20 cm), including weight if applicable. When using a PTFE centering disc, the lower transition zone is not affected.

Note

The 4–20 mA set points are recommended to be configured between the transition zones, within the measuring range.

Functional specifications

General

Field of application

Liquids and semi-liquids level or liquid/liquid interfaces

- Model 3301, for level or submerged probe interface measurement
- Model 3302, for level and interface measurements

Measurement principle

Time Domain Reflectometry (TDR)

Microwave output power

Nominal 50 μ W, Max. 2 mW

EMC

FCC part 15 subpart B and EMC Directive (2014/30/EU). Considered to be an unintentional radiator under the Part 15 rules.

Humidity

0 to 100% relative humidity

Start-up time

< 10 s

4-20 mA HART®

Output

Two-wire, 4-20 mA. Digital process variable is superimposed on 4-20 mA signal, and available to any host that conforms to the HART protocol. The digital HART® signal can be used in multidrop mode.

Rosemount 333 HART® Tri-Loop™

By sending the digital HART signal to the optional HART Tri-Loop, it is possible to have up to three additional 4–20 mA analog signals.



Related information

[Rosemount 333 Product Data Sheet](#)

Emerson Wireless 775 THUM™ Adapter

The optional Emerson Wireless 775 THUM Adapter can be mounted directly on the transmitter or by using a remote mounting kit.



IEC 62591 (*WirelessHART®*) enables access to multivariable data and diagnostics, and adds wireless to almost any measurement point.

See the Emerson Wireless 775 THUM Adapter [Product Data Sheet](#) and [Technical Note](#) for additional information.

Power requirements

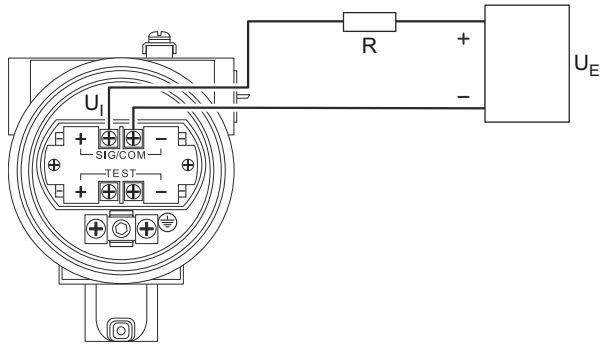
Terminals in the transmitter housing provide connections for signal cables. The Rosemount 3300 Level Transmitter is loop-powered and operates with the following power supplies:

Table 6: External Power Supply for HART

Approval type	Input voltage (U_i) ⁽¹⁾
None	11 - 42 Vdc
Intrinsically Safe	11 - 30 Vdc
Explosion-proof/Flameproof	16 - 42 Vdc

(1) *Reverse polarity protection.*

Figure 5: External Power Supply for HART



R = Load Resistance (Ω)

U_E = External Power Supply Voltage (Vdc)

U_i = Input Voltage (Vdc)

For Flameproof/Explosion-proof installations the Rosemount 3300 Series transmitters have a built-in barrier; no external barrier needed.

When the Emerson Wireless 775 THUM™ Adapter is fitted, it adds a maximum drop of 2.5 Vdc in the connected loop.

Signal on alarm

	High	Low
Standard	21.75 mA	3.75 mA
Namur NE43	22.50 mA	3.60 mA

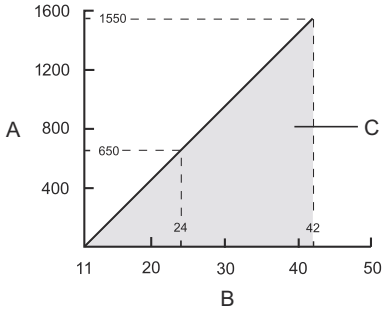
Saturation levels

	High	Low
Standard	20.8 mA	3.9 mA
Namur NE43	20.5 mA	3.8 mA

Load limitations

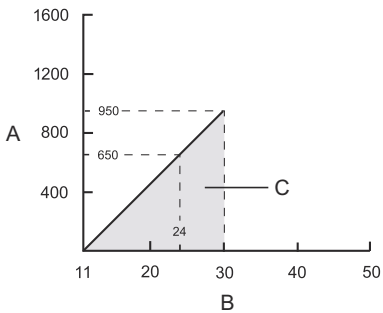
For HART® communication, a minimum loop resistance of 250 Ω is required. Maximum loop resistance is determined by the voltage level of the external power supply, as given by the following diagrams:

Figure 6: Non-Hazardous Installations



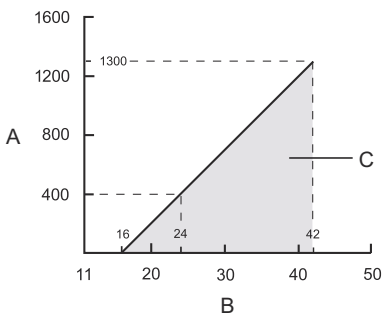
- A. Loop Resistance (Ohms)
- B. External Power Supply Voltage (Vdc)
- C. Operating region

Figure 7: Intrinsically Safe Installations



- A. Loop Resistance (Ohms)
- B. External Power Supply Voltage (Vdc)
- C. Operating region

Figure 8: Explosion-proof/Flameproof Installations



- A. Loop Resistance (Ohms)
- B. External Power Supply Voltage (Vdc)
- C. Operating region

Note

For the Explosion-proof/Flameproof installations the diagram is only valid if the HART load resistance is at the + side, otherwise the load resistance value is limited to 300 Ω.

Modbus®

Output

The RS-485 Modbus version communicates by Modbus RTU, Modbus ASCII, and Levelmaster protocols. 8 data bits, 1 start bit, 1 stop bit, and software selectable parity.

Baud Rate 1200, 2400, 4800, 9600 (default), and 19200 bits/s

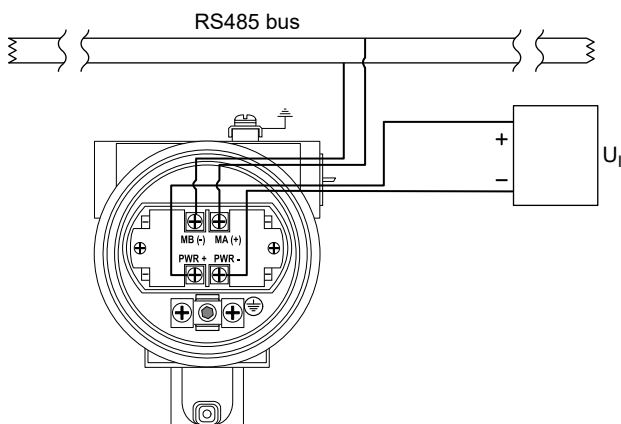
Address Range 1 to 255 (default device address is 246)

HART communication is used for configuration via the HART terminals or tunneling via the RS-485.

External power supply

The input voltage U_i for Modbus is 8-30 Vdc (max. rating).

Figure 9: External Power Supply for Modbus



U_i = Input Voltage (Vdc)

For Flameproof/Explosion-proof installations the Rosemount 3300 Series transmitters have a built-in barrier; no external barrier needed.

Power consumption

- < 0.5 W (with HART address=1)
- < 1.2 W (incl. four HART slaves)

Display and configuration

Integral display

The integral digital display can toggle between: level, distance, volume, internal temperature, interface distance, interface level, peak amplitudes, interface thickness, percentage of range, analog current out.

Note

The display cannot be used for configuration purposes.

Remote display

Data can be read remotely by using the Rosemount 751 Field Signal Indicator, see the corresponding [Product Data Sheet](#) for more information.

Configuration tools

- Rosemount Radar Configuration Tool (included in the delivery)
- Device Descriptor (DD) based systems, e.g. AMS Device Manager, handheld communicator, and DeltaV™
- Device Type Manager (DTM™) based systems (compliant with version 1.2 of the FDT®/DTM specification), supporting configuration in for instance Yokogawa Fieldmate/PRM, E+H FieldCare®, and PACTware™

Output units

- Level, Interface and Distance: ft., in., m, cm, or mm
- Volume: ft.³, in.³, US gals, Imp gals, barrels, yd³, m³, or liters

Output variables

Table 7: Output Variables

Variable	3301	3302
Level	✓	✓
Distance (to product surface)	✓	✓
Volume	✓	✓
Internal Temperature	✓	✓
Interface Level	(✓) ⁽¹⁾	✓
Interface Distance	(✓) ⁽¹⁾	✓
Upper Product Thickness	N/A	✓
Peak Amplitudes	✓	✓

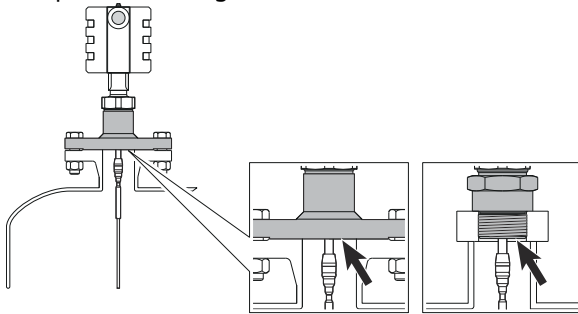
(1) *Interface measurement only for fully submerged probe.*

Damping

0-60 s (10 s, default value)

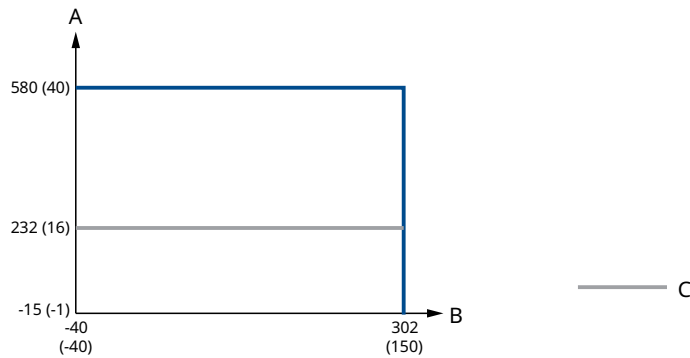
Process temperature and pressure rating

Figure 10 gives the maximum process temperature (measured at the lower part of the flange or threaded connection) and pressure rating.



Final rating depends on flange, material of construction, and O-ring selection.

Figure 10: Maximum Rating, Standard Tank Connections



- A. Pressure psig (bar)
- B. Temperature °F (°C)
- C. Protective plate: PTFE (Material of construction code 7)

Table 8: Temperature and Pressure Ranges for Standard Tank Seals with Different O-ring Material

O-ring material	Temperature °F (°C) in air		Pressure psig (bar)
	Minimum	Maximum	Maximum
Fluoroelastomer (FKM)	-22 (-30)	302 (150)	580 (40)
Ethylene Propylene (EPDM)	-40 (-40)	266 (130)	580 (40)
Kalrez® Perfluoroelastomer (FFKM)	14 (-10)	302 (150)	580 (40)
Nitrile Butadiene (NBR)	-31 (-35)	230 (110)	580 (40)

Note

Always check the chemical compatibility of the O-ring material with your application. If the O-ring material is not compatible with its chemical environment, the O-ring may eventually malfunction.

Temperature limits

Ambient temperature

The maximum and minimum ambient temperature for the electronics depends the approval.

Note

In applications where the ambient temperature exceeds the limits of the electronics, a Remote Mounting connection can be used. The maximum temperature for the Remote Mounting connection at the vessel connection point is 302 °F (150 °C).

Table 9: Ambient Temperature Limits

Description	Operating limit	Storage limit
Without integral display	-40 °F to 185 °F (-40 °C to 85 °C)	-40 °F to 176 °F (-40 °C to 80 °C)
With integral display	-40 °F to 158 °F (-40 °C to 70 °C) ⁽¹⁾	-40 °F to 176 °F (-40 °C to 80 °C)

(1) *Integral display may not be readable and device display updates will be slower at temperatures below -4 °F (-20 °C).*

Related information

[Product certifications](#)

Flange rating

ASME flange rating

316 according to ASME B16.5 Table 2-2.2:

- Maximum 302 °F/580 psig (150 °C/40 bar)

Alloy C-276 (UNS N10276) according to ASME B16.5 Table 2-3.8:

- Maximum 302 °F/580 psig (150 °C/40 Bar)

EN flange rating

EN 1.4404 according to EN 1092-1 material group 13E0:

- Maximum 302 °F/580 psig (150 °C/40 Bar)

Alloy C-276 (UNS N10276) according to EN 1092-1 material group 12E0:

- Maximum 302 °F/580 psig (150 °C/40 Bar)

JIS flange rating

316 according to JIS B2220 material group 2.2:

- Maximum 302 °F/580 psig (150 °C/40 Bar)

Fisher and Masoneilan flange rating

316 according to ASME B16.5 Table 2-2.2:

- Maximum 302 °F/580 psig (150 °C/40 Bar)

Tri Clamp rating

Table 10: Tri Clamp Rating

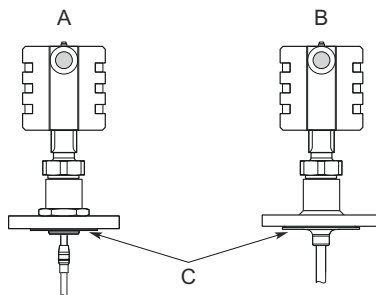
Size	Maximum pressure ⁽¹⁾
1½-in. (37.5 mm)	232 psig (16 bar)
2-in. (50 mm)	232 psig (16 bar)
3-in. (75 mm)	145 psig (10 bar)
4-in. (100 mm)	145 psig (10 bar)

(1) The final rating depends on the clamp and gasket.

Plate design

Certain models of flanged alloy and PTFE covered probes have a tank connection design with a protective flange plate that prevents the backing flange from being exposed to the tank atmosphere. The protective flange plate is manufactured in the same material as the probe. The backing flange is made of 316L/EN 1.4404 for alloy probes, and 316/1.4404 for PTFE covered probes.

Figure 11: Protective Plate



- A. Alloy probe and protective plate
- B. PTFE covered probe and protective plate
- C. Protective plate

PTFE protective plate

Flange rating according to SST backing flange ASME B16.5 Table 2-2.2, EN 1092-1 material group 13E0, and JIS B2220 material group 2.3.

- Maximum 302 °F/232 psig (150 °C/16 Bar)

Alloy C-276 protective plate

Flange rating according to SST backing flange ASME B16.5 Table 2-2.3, EN 1092-1 material group 13E0, and JIS B2220 material group 2.3.

- Maximum 302 °F/580 psig (150 °C/40 Bar)

Alloy 400 protective plate

Flange rating according to SST backing flange ASME B16.5 Table 2-2.3, EN 1092-1 material group 13E0, and JIS B2220 material group 2.3.

- Maximum 302 °F/580 psig (150 °C/40 Bar)

Conditions used for flange strength calculations

Table 11: 316/316L Flanges

Standard	Bolting material	Gasket	Flange material	Hub material
ASME	Stainless steel SA193 B8M Cl.2	Soft (1a) with min. thickness 1.6 mm	Stainless steel A182 Gr. F316	Stainless steel SA479M 316
EN, JIS	EN 1515-1/-2 group 13E0, A4-70	Soft (EN 1514-1) with min. thickness 1.6 mm	Stainless steel A182 Gr. F316 and EN 10222-5-1.4404	Stainless steel SA479M 316, and EN 10272-1.4404

Table 12: Process Connection with Plate Design

Standard	Bolting material	Gasket	Flange material	Hub material
ASME	Stainless steel SA193 B8M Cl.2	Soft (1a) with min. thickness 1.6 mm	Stainless steel A182 Gr. F316L/F316	SB574 Gr. N10276 or SB164 Gr. N04400
EN, JIS	EN 1515-1/-2 group 13E0, A4-70	Soft (EN 1514-1) with min. thickness 1.6 mm	Stainless steel A182 Gr. F316L/F316 and EN 10222-5-1.4404	

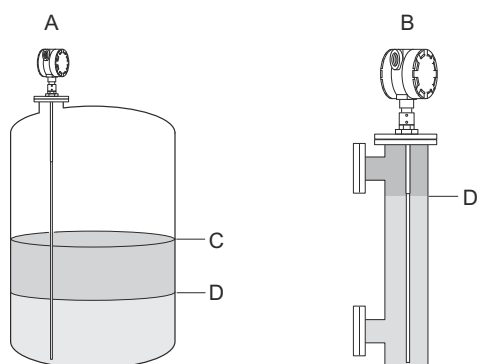
Table 13: Alloy C-276 Flanges

Standard	Bolting material	Gasket	Flange material	Hub material
ASME	UNS N10276	Soft (1a) with min. thickness 1.6 mm	SB462 Gr. N10276 (solution annealed condition) or SB575 Gr. N10276 (solution annealed condition)	SB574 Gr. N10276
EN, JIS		Soft (EN 1514-1) with min. thickness 1.6 mm		

Interface measurements

The Rosemount 3302 is a good choice for measuring the interface of oil and water, or other liquids with significant dielectric differences. It is also possible to measure interfaces with a Rosemount 3301 in applications where the probe is fully submerged in the liquid.

Figure 12: Interface Level Measurement



- A. Rosemount 3302
- B. Rosemount 3301 (fully submerged)
- C. Product level
- D. Interface level

Interface measurement considerations

If interface is to be measured, follow these criteria:

- The dielectric constant of the upper product should be known and should not vary. The Radar Configuration Tools software has a built-in dielectric constant calculator to assist the user in determining the dielectric constant of the upper product.
- The dielectric constant of the upper product must have a lower dielectric constant than the lower product to have a distinct reflection.
- The difference between the dielectric constants for the two products must be larger than 10.
- Maximum dielectric constant for the upper product is 10 for the coaxial probe, and 5 for twin lead probes.
- The upper product thickness must be larger than 8 in. (0.2 m) for the flexible twin lead probe; 4 in. (0.1 m) for the rigid twin lead, and coaxial probes in order to distinguish the echoes of the two liquids.

Emulsion layers

Sometimes there is an emulsion layer (mix of the products) between the two products which can affect interface measurements. For guidelines on emulsion situations, consult your local Emerson representative.

Physical specifications

Material selection

Emerson provides a variety of Rosemount products with various product options and configurations, including materials of construction that can be expected to perform well in a wide range of applications. The Rosemount product information presented is intended as a guide for the purchaser to make an appropriate selection for the application. It is the purchaser's sole responsibility to make a careful analysis of all process parameters (such as all chemical components, temperature, pressure, flow rate, abrasives, contaminants, etc.), when specifying product, materials, options, and components for the particular application. Emerson is not in a position to evaluate or guarantee the compatibility of the process fluid or other process parameters with the product, options, configuration, or materials of construction selected.

Engineered solutions

When standard model codes are not sufficient to fulfill requirements, please consult the factory to explore possible Engineered Solutions. This is typically, but not exclusively, related to the choice of wetted materials or the design of a process connection. These Engineered Solutions are part of the expanded offerings and may be subject to additional delivery lead time. For ordering, factory will supply a special R-labeled numeric option code that should be added at the end of the standard model string.

Housing and enclosure

Type

Dual compartment (removable without opening the tank). Electronics and cabling are separated. Two entries for conduit or cable connections. The transmitter housing can be rotated in any direction.

Electrical connection

½ - 14 NPT for cable glands or conduit entries.

Optional: M20 x 1.5 conduit/cable adapter or PG 13.5 conduit/cable adapter.

Recommended output cabling is twisted shielded pairs, 18-12 AWG.

Housing material

Polyurethane-covered Aluminum or SST Grade CF8M (ASTM A743)

Ingress protection

NEMA® 4X, IP 66, IP 67

Factory sealed

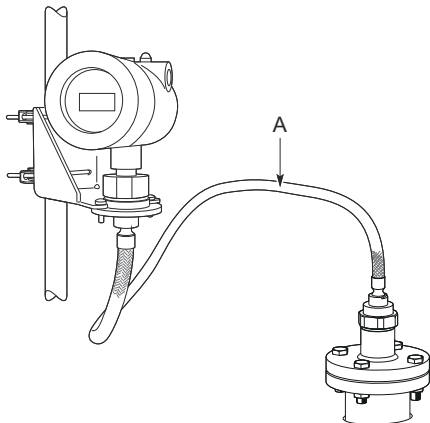
Yes

Weight

- Aluminum transmitter head: 5.5 lb (2.5 kg)
- SST transmitter head: 11 lb (5 kg)

Remote housing mounting

Kit that includes a flexible armored extension cable and a bracket for wall or pipe mounting.

Figure 13: Remote Housing Mounting

A. Remote Housing Mounting Cable: 3, 6, or 9 ft (1, 2, or 3 m)

Tank connection

The tank connection consists of a tank seal, a flange, Tri Clamp, or NPT or BSPP (G) threads.

Flange dimensions

Follows ASME B16.5, JIS B2220, and EN 1092-1 standards for blind flanges.

Vented flanges

Available with Masoneilan and Fisher vented flanges. Vented flanges must be ordered as accessories with a 1½-in. NPT threaded process connection (code RA); see [Proprietary flanges](#). As an alternative to a vented flange, it is possible to use a flushing connection ring on top of the standard nozzle.

Tri Clamp connection

Follows ISO 2852 standard.

Pressure Equipment Directive (PED)

Complies with 2014/68/EU article 4.3

Probes**Probe versions**

Coaxial, rigid twin and rigid single lead, flexible twin and flexible single lead.

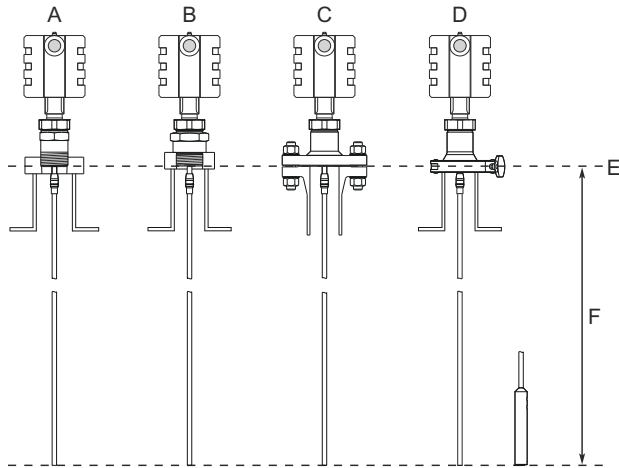
For interface measurements, rigid single probe is the best choice for chamber mounting. The twin or coaxial probe is the preferred choice for clean, low dielectric constant liquids.

For guidelines on which probe to select depending on application, see the Rosemount 3300 [Reference Manual](#).

Total probe length

This is defined from the Upper Reference Point to the end of the probe (weight included, if applicable).

Figure 14: Total Probe Length



- A. NPT
- B. BSPP (G)
- C. Flange
- D. Tri Clamp
- E. Upper reference point
- F. Total probe length

Select the probe length according to the required measuring range (the probe must be hung and fully extended through the entire distance where level readings are desired).

Cut-to-fit probes

All probes can be cut in field except for the PTFE covered probe.

However, there are some restrictions for the coaxial probe: Probes over 4.1 ft. (1.25 m) can be cut up to 2 ft. (0.6 m). Shorter probes can be cut to the minimum length of 1.3 ft. (0.4 m).

Minimum and maximum probe length

Probe type	Probe length
Flexible single lead	3.3 to 77.1 ft. (1 to 23.5 m)
Rigid single lead (0.3 in./8 mm)	1.3 to 9.8 ft. (0.4 to 3 m)
Rigid single lead (0.5 in./13 mm)	1.3 to 19.7 ft. (0.4 to 6 m)
Segmented rigid single lead	1.3 to 19.7 ft. (0.4 to 6 m)
Flexible twin lead	3.3 to 77.1 ft. (1 to 23.5 m)
Rigid twin lead	1.3 to 9.8 ft. (0.4 to 3 m)
Coaxial	1.3 to 19.7 ft. (0.4 to 6 m)

Probe angle

0 to 90 degrees from vertical axis

Tensile strength

- 0.16 in. (4 mm) Flexible single lead SST: 2698 lb (12 kN)
- 0.16 in. (4 mm) Flexible single lead Alloy C-276: 1574 lb (7 kN)
- 0.16 in. (4 mm) Flexible single lead Alloy 400: 1124 lb (5 kN)
- Flexible twin lead SST: 2023 lb (9 kN)

Collapse load

- 0.16 in. (4 mm) Flexible single lead SST: 3597 lb (16 kN)
- 0.16 in. (4 mm) Flexible single lead Alloy C-276: 1798 lb (8 kN)
- 0.16 in. (4 mm) Flexible single lead Alloy 400: 1349 lb (6 kN)

Sideway capacity

- Rigid single lead/Segmented rigid single lead: 4.4 ft. lbf, 0.44 lb at 9.8 ft. (6 Nm, 0.2 kg at 3 m)
- Rigid twin lead: 2.2 ft. lbf, 0.22 lb at 9.8 ft. (3 Nm, 0.1 kg at 3 m)
- Coaxial: 73.7 ft. lbf, 3.7 lb at 19.7 ft. (100 Nm, 1.67 kg at 6 m)

Material exposed to tank atmosphere

Table 14: Standard Probe (Operating Temperature and Pressure Code S)

Material of construction code	Material exposed to tank atmosphere
1	316L/316 (EN 1.4404), PTFE, PFA, silicone grease, and O-ring materials
2	Alloy C-276 (UNS N10276), PTFE, PFA, silicone grease, and O-ring materials
3	Alloy 400 (UNS N04400), Alloy K500 (UNS N05500), PTFE, PFA, silicone grease, and O-ring materials
7	PTFE (1 mm PTFE cover)
8	316L/316 (EN 1.4404), PTFE, silicone grease, and O-ring materials

Weight

Table 15: Flange and Probes

Item	Weight
Flange	Depends on flange size
Flexible single lead probe	0.05 lb/ft. (0.08 kg/m)
Rigid single lead probe (0.3-in./8 mm)	0.27 lb/ft. (0.4 kg/m)
Rigid single lead probe (0.5-in./13 mm)	0.71 lb/ft. (1.06 kg/m)
Segmented rigid single lead probe	0.71 lb/ft. (1.06 kg/m)
Flexible twin lead probe	0.09 lb/ft. (0.14 kg/m)
Rigid twin lead probe	0.40 lb/ft. (0.6 kg/m)
Coaxial probe	0.67 lb/ft. (1 kg/m)

Table 16: End Weight

Item	Weight
Standard weight for flexible single lead probe (0.16-in./4 mm)	0.88 lb (0.40 kg)
Short weight (W2) for flexible single lead probe (0.16-in./4 mm)	0.88 lb (0.40 kg)
Heavy weight (W3) for flexible single lead probe (0.16-in./4 mm)	2.43 lb (1.10 kg)
Weight for PTFE covered flexible single lead	2.2 lb (1 kg)
Weight for twin lead probe	1.3 lb (0.60 kg)

End weight options

A short weight is available for the single flexible probe. It is used for measuring close to the probe end and shall be used where the measuring range must be maximized. The height is 2 in. (50 mm) and the diameter is 1.5 in. (37.5 mm). The option code is W2.

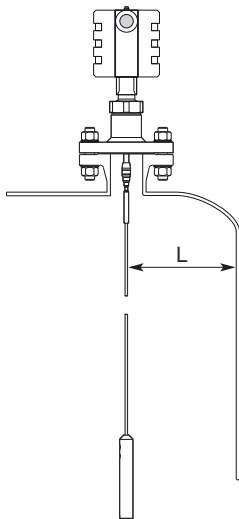
If a heavier weight is needed, option code W3 can be used. The height is 5.5 in. (140 mm) and the diameter is 1.5 in. (37.5 mm).

Installation and mounting considerations

Free space requirement

If the probe is mounted close to a wall, nozzle or other tank obstruction, noise might appear in the level signal. Therefore the following minimum clearance, according to [Table 17](#), must be maintained.

Figure 15: Free Space Requirement



L. Clearance to tank wall

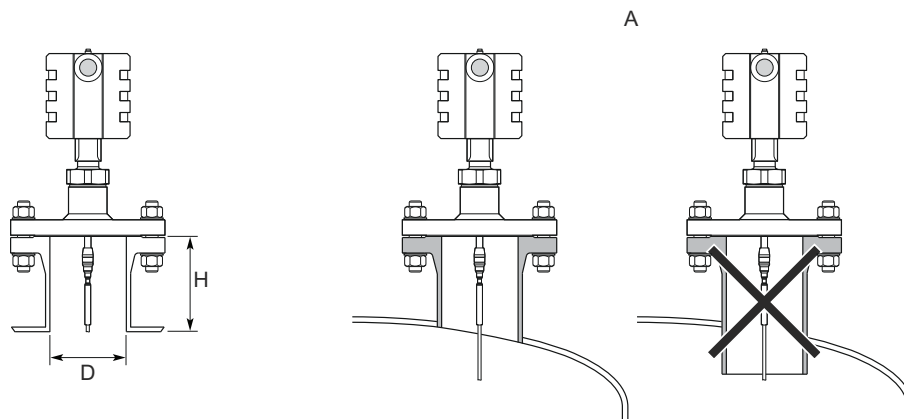
Table 17: Recommended Minimum Free Space for Optimal Performance

Probe type	Condition	Minimum clearance (L)
Rigid single lead/Segmented rigid single lead ⁽¹⁾	Smooth metal tank wall	4 in. (100 mm)
	Disturbing objects such as pipes and beams Plastic, concrete or rugged metal tank wall	12 in. (300 mm)
Flexible single	Smooth metal tank wall	4 in. (100 mm)
	Disturbing objects such as pipes and beams Plastic, concrete or rugged metal tank wall	12 in. (300 mm)
Coaxial ⁽¹⁾	N/A	0 in. (0 mm)
Rigid twin lead	N/A	4 in. (100 mm)
Flexible twin	N/A	4 in. (100 mm)

(1) Minimum clearance from tank bottom for the coaxial and rigid single probes is 0.2 in. (5 mm).

Flange connection on nozzles

Figure 16: Mounting in Nozzles



A. Confirm the nozzle does not extend into the tank.

The transmitter can be mounted in nozzles by using an appropriate flange. It is recommended that the nozzle size is within the dimensions given in [Table 18](#).

Table 18: Nozzle Considerations for Optimal Performance

	Single (rigid/segmented/flexible)	Coaxial	Twin (rigid/flexible)
Recommended nozzle diameter (D)	6 in. (150 mm)	> probe diameter	4 in. (100 mm)
Minimum nozzle diameter (D) ⁽¹⁾	2 in. (50 mm)	> probe diameter	2 in. (50 mm)
Recommended nozzle height (H) ⁽²⁾	4 in. (100 mm) + nozzle diameter ⁽³⁾	N/A	4 in. (100 mm) + nozzle diameter

(1) The Trim Near Zone (TNZ) function may be necessary or an Hold Off Distance/Upper Null Zone (UNZ) setup may be required to mask the nozzle.

(2) Longer nozzles may be used in certain applications. Consult your local Emerson representative for details.

(3) For nozzles taller than 4 in. (100 mm), the long stud version is recommended (option code LS) to prevent the flexible portion from touching the edge of the nozzle.

Note

The probe must not be in contact with the nozzle (except for the coaxial probe).

Installation in still pipe/chamber

General chamber considerations

Dimensioning the chamber/pipe correctly and selecting the appropriate probe is key to the success in these applications. When selecting a smaller chamber/pipe diameter, such as 2-in., a flexible probe is not suitable due to the chance of it coming into contact with the walls. Also, relatively large side inlets may interfere with the signal.

When gas lift and/or turbulence may occur (e.g. boiling hydrocarbons), a 3- or 4-in. chamber/pipe diameter is recommended for maximum measurement reliability. This is especially true in high pressure and high temperature installations.

Table 19: Recommended and Minimum Chamber/Still Pipe Diameters for Different Probes

Probe type	Recommended diameter	Minimum diameter
Rigid single/segmented rigid single	3 or 4 in. (75 or 100 mm)	2 in. (50 mm)
Flexible single	4 in. (100 mm)	Consult your local Emerson representative
Rigid twin ⁽¹⁾	3 or 4 in. (75 or 100 mm)	2 in. (50 mm)
Flexible twin ⁽¹⁾	4 in. (100 mm)	Consult your local Emerson representative
Coaxial	3 or 4 in. (75 or 100 mm)	1.5 in. (37.5 mm)

(1) The center rod must be placed more than 0.6 in. (15 mm) away from the pipe wall.

Note

Metal pipes are preferred, especially in applications with low dielectric constant, to avoid disturbances from objects near the pipe.

Rosemount chamber

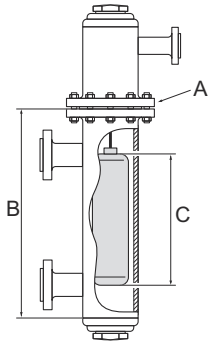
A Rosemount chamber allows external mounting of process level instrumentation. It supports a variety of process connections, and optional drain and vent connections. The standard Rosemount chambers are designed according to ASME B31.3. Rosemount chambers compliant with the Pressure Equipment Directive (PED) are available. Customer specific engineered solutions for Rosemount chambers are available upon request. Use option code XC to order together with the Rosemount 3300 Series Transmitters.

Use a centering disc the same diameter as the chamber if the probe length >3.3 ft. (1 m). See [Table 22](#) for which disc to use.

Existing chamber

A Rosemount 3300 Level Transmitter is the perfect replacement in an existing displacer chamber. Proprietary flanges are offered, enabling use of existing chambers to make installation easy.

Figure 17: Existing Displacer Chamber



- A. Replace chamber flange
- B. Probe length
- C. Displacer length

Considerations when changing to Rosemount 3300:

- The Rosemount 3300 Level Transmitter flange choice and probe length must be correctly matched to the chamber. Both standard ASME and EN (DIN), as well as proprietary chamber flanges, are available. See [Proprietary flanges](#) to identify the proprietary flanges.
- See [Table 22](#) for guidelines on which disc size to use.
- See [Table 20](#) for guidelines on the required probe length.

Table 20: Required Probe Length in Chambers

Chamber manufacturer	Probe length ⁽¹⁾
Major torque-tube manufacture (249B, 249C, 249K, 249N, 259B)	Displacer + 9 in. (229 mm)
Masoneilan™ (torque tube operated), proprietary flange	Displacer + 8 in. (203 mm)
Other - torque tube ⁽²⁾	Displacer + 8 in. (203 mm)
Magnetrol® (spring operated) ⁽³⁾	Displacer + between 7.8 in. (195 mm) to 15 in. (383 mm)
Others - spring operated ⁽²⁾	Displacer + 19.7 in. (500 mm)

(1) *If flushing ring is used, add the ring height to the probe length.*
 (2) *For other manufacturers, there are small variations. This is an approximate value; actual length should be verified.*
 (3) *Lengths vary depending on model, SG, and rating, and should be verified.*

For additional information, see the Replacing Displacers with Guided Wave Radar [Technical Note](#).

Probe type in chamber considerations

When installing a Rosemount 3300 in a chamber, the single lead probe is recommended.

The probe must not touch the chamber wall, should extend the full height of the chamber, but not touch the bottom of the chamber.

The probe length determines if a single rigid or single flexible probe should be used:

- Less than 19.7 ft. (6.0 m): Rigid single probe is recommended. Use a centering disc for probe > 3.3 ft. (1 m). When mounting space is limited, use a flexible single probe with a weight and centering disc.
- More than 19.7 ft. (6.0 m): Use flexible single probe with a weight and centering disc.

Centering disc for pipe installations

To prevent the probe from contacting the chamber or pipe wall, centering discs are available for flexible single, rigid single, and flexible twin lead probes. The disc is attached to the end of the probe. Discs are made of stainless steel, Alloy C-276, Alloy 400, or PTFE.

For the segmented rigid single lead probe, up to five PTFE centering discs can be mounted along the probe, but keep a minimum distance of two segments between the discs. Additionally, a disc in SST or PTFE (part number 03300-1655-xxxx) can be attached to the end of the probe.

When mounting a centering disc, it is important that it fits correctly in the chamber/pipe. See [Figure 18](#) for Dimension D. [Table 22](#) shows which centering disc diameter to choose for a particular pipe.

Figure 18: Dimension D for Centering Discs

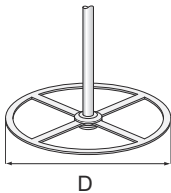


Table 21: Centering Disc Dimensions

Disc size	Actual disc diameter (D)
2-in.	1.8 in. (45 mm)
3-in.	2.7 in. (68 mm)
4-in.	3.6 in. (92 mm)
6-in.	5.55 in. (141 mm)
8-in.	7.40 in. (188 mm)

Table 22: Centering Disc Size Recommendation for Different Pipe Schedules

Pipe size	Pipe schedule			
	5s, 5 and 10s,10	40s, 40 and 80s, 80	120	160
2-in.	2-in.	2-in.	N/A ⁽¹⁾	N/A ⁽²⁾
3-in.	3-in.	3-in.	N/A ⁽¹⁾	2-in.
4-in.	4-in.	4-in.	3-in.	3-in.
5-in.	4-in.	4-in.	4-in.	4-in.
6-in.	6-in.	6-in.	4-in.	4-in.
7-in.	N/A ⁽¹⁾	6-in.	N/A ⁽¹⁾	N/A ⁽¹⁾
8-in.	8-in.	8-in.	6-in.	6-in.

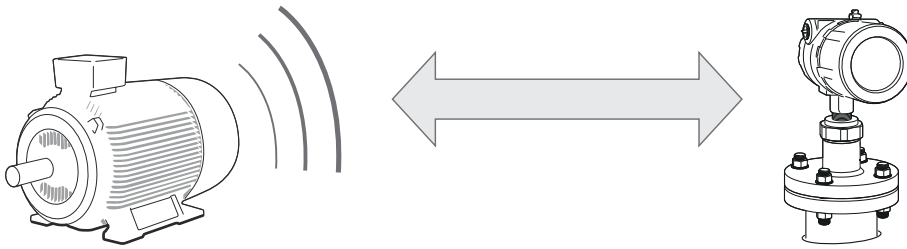
(1) Schedule is not available for pipe size.

(2) No centering disc is available.

Installation in non-metallic tanks and open-air applications

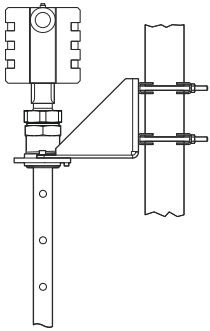
Avoid major sources of electrical disturbance in proximity of the installation (e.g. electrical motors, stirrers, servo mechanisms).

Figure 19: Avoid Electromagnetic Disturbances



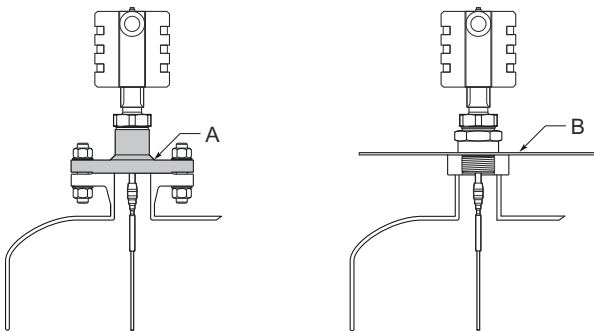
For clean liquids, use a coaxial probe to reduce effect of potential electrical disturbances.

Figure 20: Coaxial Probe in an Open-Air Application



For optimal single lead probe performance in non-metallic tanks, the probe must be mounted with a metal flange, or screwed in to a metal sheet ($d > 14$ in./350 mm) if a threaded version is used.

Figure 21: Mounting in Non-Metallic Tanks



A. Metal flange

B. Metal sheet ($d > 14$ in./350 mm)

Minimum distance between two single probes

When installing multiple Rosemount 3300 Level Transmitters with single probes in the same tank, ensure to place the devices at proper distance from each other to avoid the risk of interference caused by cross-talk. [Table 23](#) provides recommended minimum distance between two probes. A coaxial probe or a probe installed in a still pipe will not cause any cross-talk.

Table 23: Minimum Distance between Single Probes

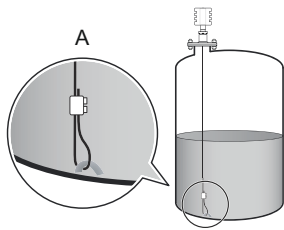
Product	Minimum distance between probes
Oil (DC = 2.1)	5.2 ft. (1.6 m)
Water (DC = 80)	3.3 ft. (1.0 m)

Other mechanical considerations

To get best possible performance, the following must be considered before installing the transmitter:

- Inlets should be kept at a distance in order to avoid product filling on the probe
- Avoid physical contact between probes and agitators, as well as applications with strong fluid movement unless the probe is anchored
- Probe tie-down is recommended if the probe can move to within 1 ft. (30 cm) of any object during operations
- In order to stabilize the probe for side forces, it is possible to fix or guide the probe to the tank bottom

Figure 22: Stabilize the Probe for Side Forces



A. Flexible single lead probe with chuck.

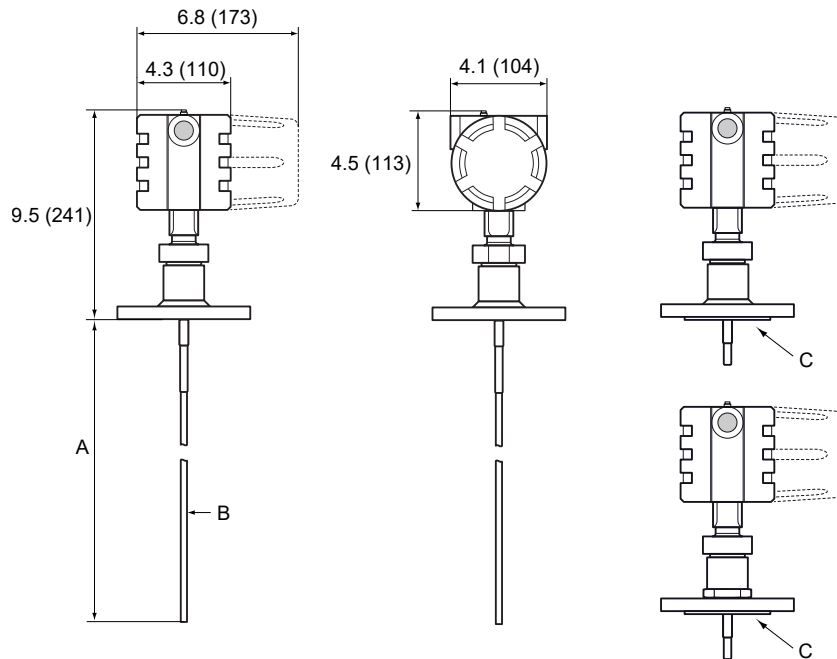
See the Rosemount 3300 [Reference Manual](#) for more mechanical installation information.

Product certifications

See the Rosemount 3300 [Product Certifications](#) document for detailed information on the existing approvals and certifications.

Dimensional drawings

Figure 23: Rigid Single Lead Probe with Flange Connection



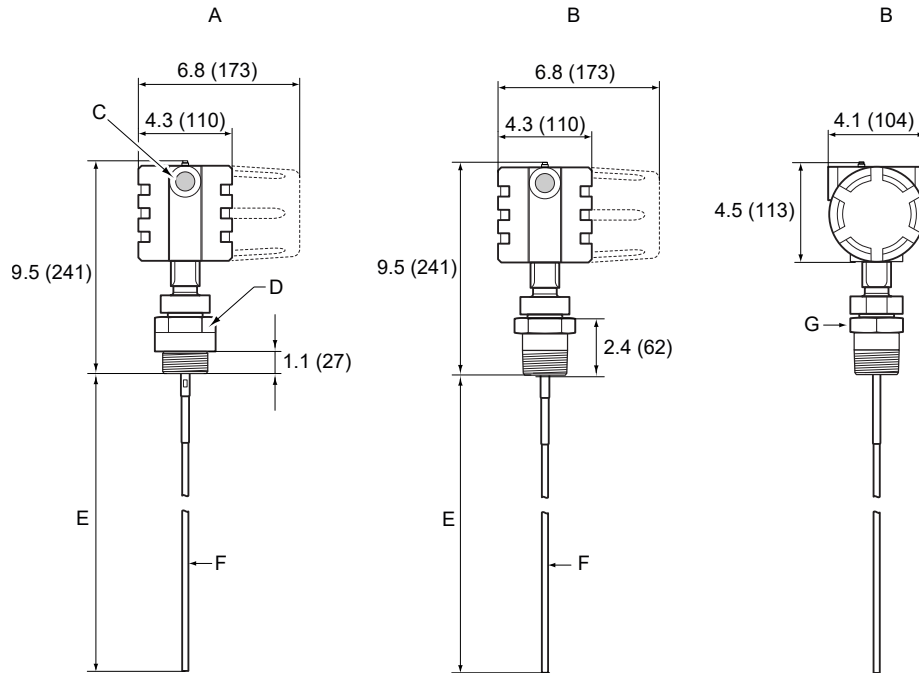
A. $L \leq 10 \text{ ft. (3 m)}$; $L \leq 20 \text{ ft. (6 m)}$ for $\text{Ø } 0.51 \text{ (13)}$

B. $\text{Ø } 0.31 \text{ (8)}$ or $\text{Ø } 0.51 \text{ (13)}$ for SST and Alloy probes; $\text{Ø } 0.47 \text{ (12)}$ for PTFE covered probe

C. The PTFE and alloy probes are designed with a protective plate.

Dimensions are in inches (millimeters).

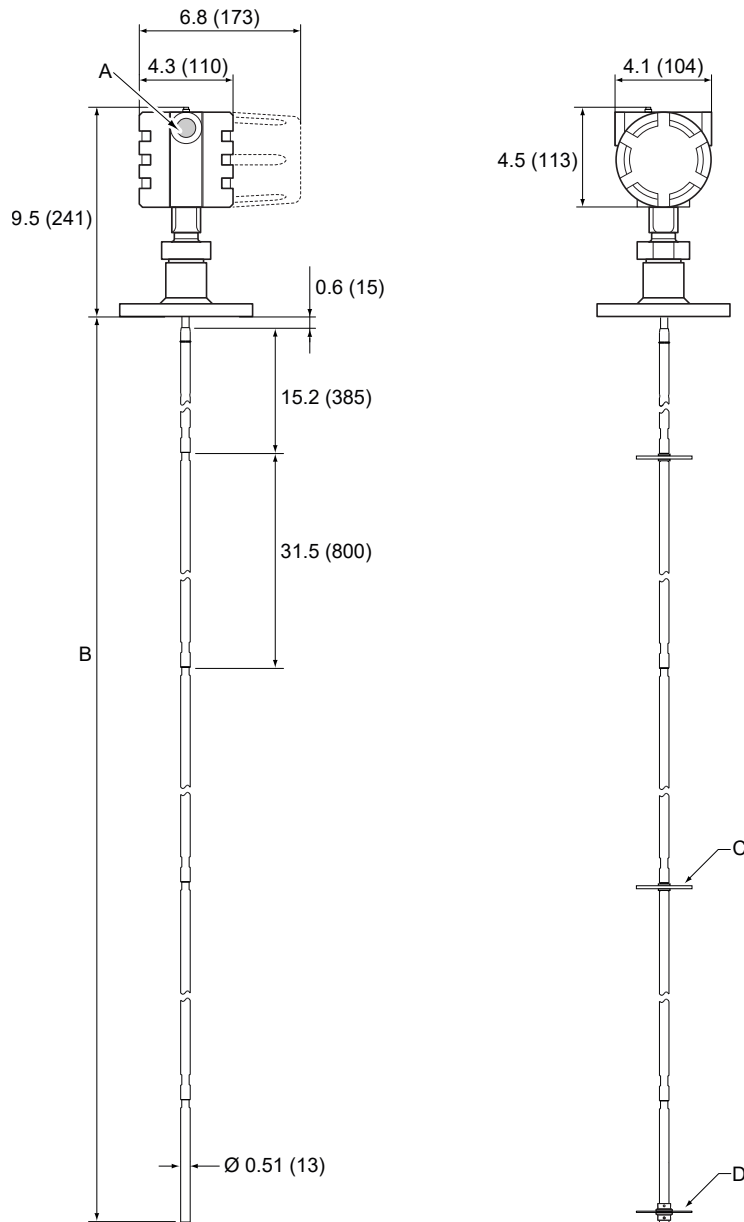
Figure 24: Rigid Single Lead Probe with Threaded Connection



- A. G 1/1½ inch
- B. NPT 1/1½/2 inch
- C. ½ - 14 NPT; optional adapters: M20x1.5
- D. s52/s60
- E. L ≤ 10 ft. (3 m); L ≤ 20 ft. (6 m) for Ø 0.51 (13)
- F. Ø 0.31 (8) or Ø 0.51 (13) for SST and Alloy probes; Ø 0.47 (12) for PTFE covered probe
- G. s52

Dimensions are in inches (millimeters).

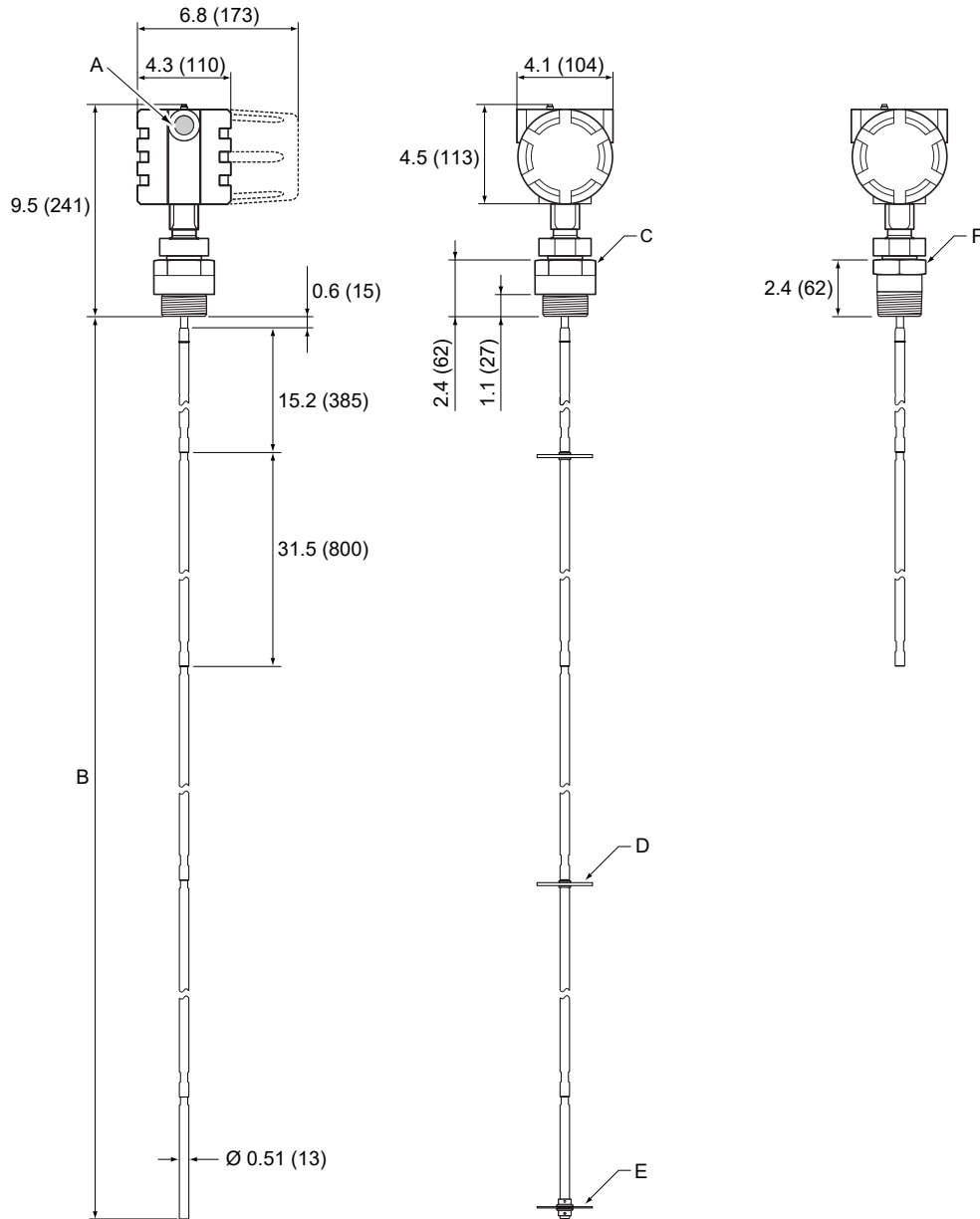
Figure 25: Segmented Rigid Single Lead Probe with Flange Connection



- A. ½ - 14 NPT; optional adapters: M20x1.5
- B. $L \leq 20$ ft. (6 m)
- C. Optional: PTFE centering disc
- D. Optional: Bottom centering disc (SST or PTFE)

Dimensions are in inches (millimeters).

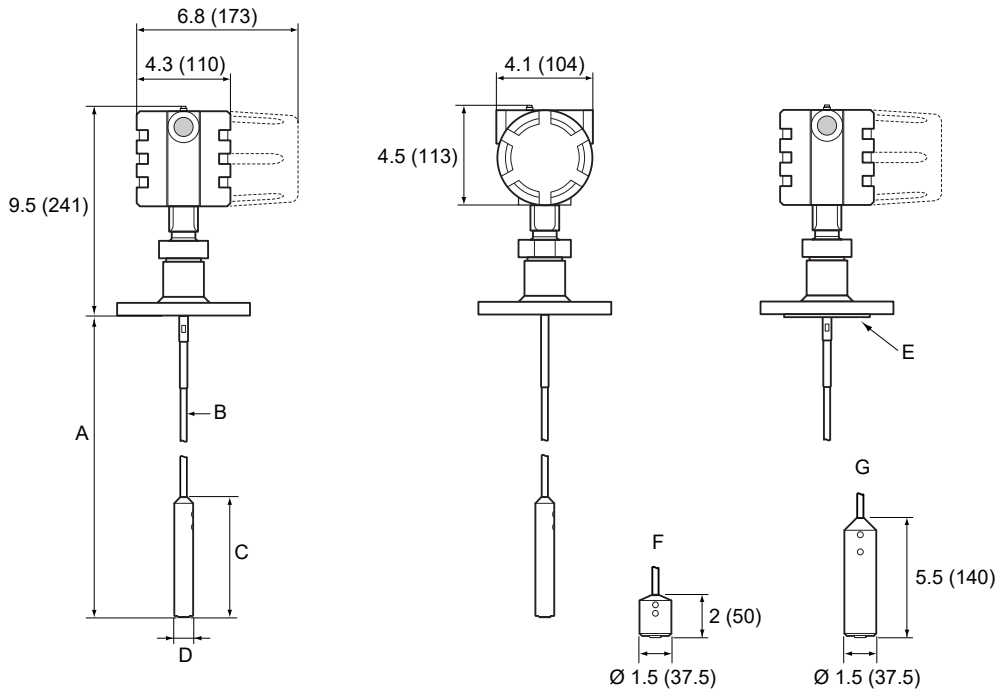
Figure 26: Segmented Rigid Single Lead Probe with Threaded Connection



- A. ½ - 14 NPT; optional adapters: M20x1.5, PG 13.5
- B. $L \leq 20$ ft. (6 m)
- C. BSP-G 1 in., s52; BSP-G 1½ in., s60
- D. Optional: PTFE centering disc
- E. Optional: Bottom centering disc (SST or PTFE)
- F. NPT 1 in., s52; NPT 1½ in., s52; NPT 2 in., s60

Dimensions are in inches (millimeters).

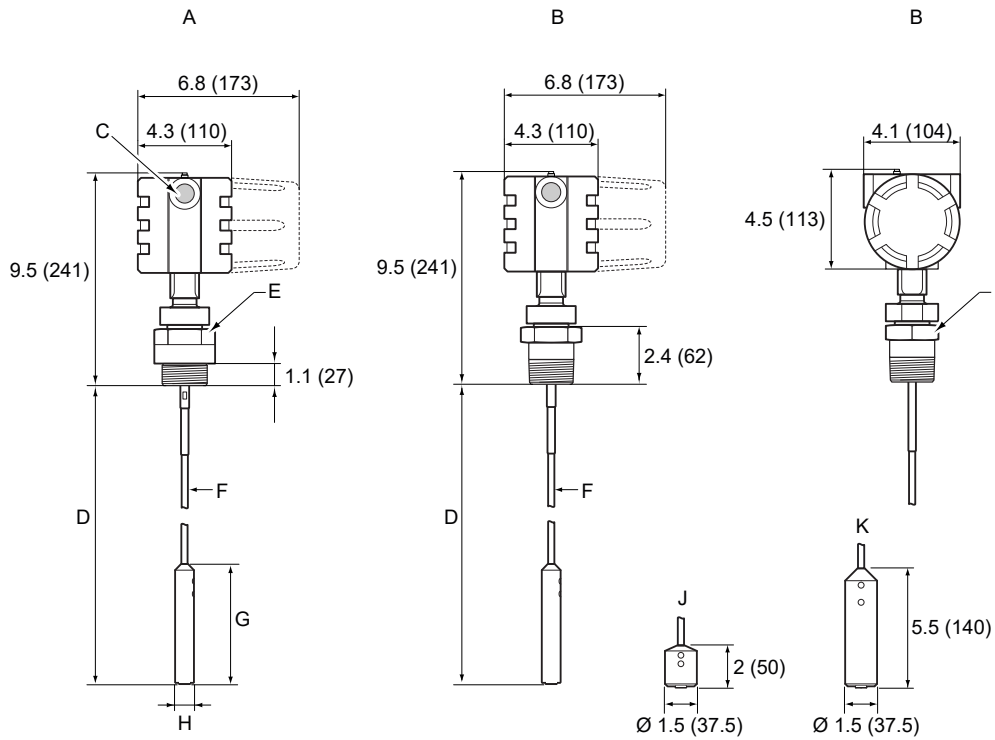
Figure 27: Flexible Single Lead Probe with Flange Connection



- A. $L \leq 77$ ft. (23.5 m)
- B. $\varnothing 0.16$ (4) for SST probe; $\varnothing 0.28$ (7) for PTFE covered probe
- C. 5.5 (140) for SST probe; 17.1 (435) for PTFE covered probe
- D. $\varnothing 0.86$ (22) for SST probe; $\varnothing 0.88$ (22.5) for PTFE covered probe
- E. The PTFE covered probe is designed with a protective plate.
- F. Short weight (option W2)
- G. Heavy weight (option W3)

Dimensions are in inches (millimeters).

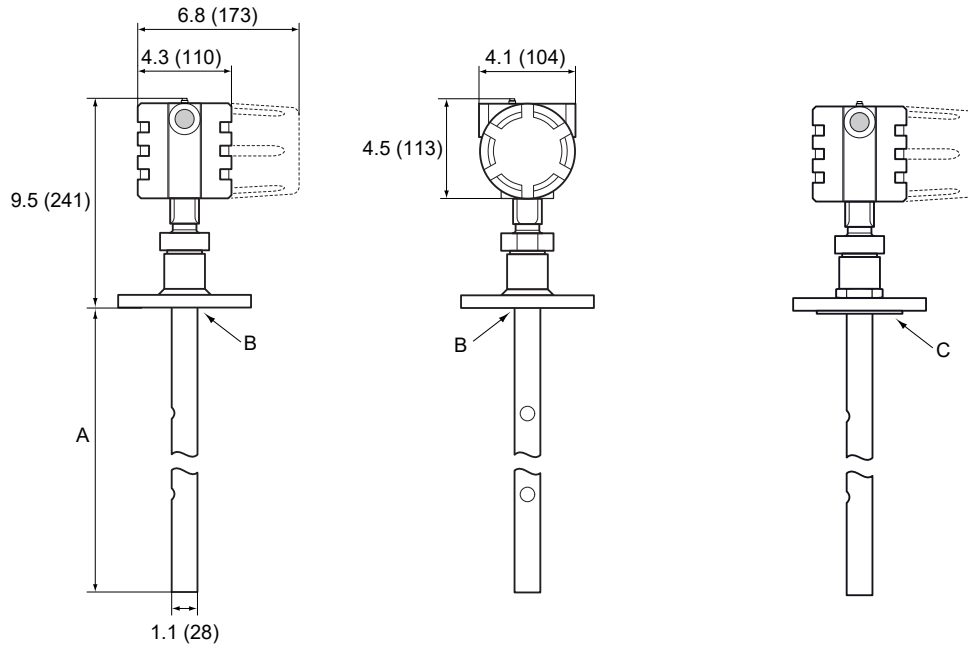
Figure 28: Flexible Single Lead Probe with Threaded Connection



- A. G 1/1½ in.
- B. NPT 1/1½/2 in.
- C. ½ - 14 NPT; optional adapters: M20x1.5
- D. L ≤ 77 ft. (23.5 m)
- E. s52/s60
- F. Ø 0.16 (4) for SST probe; Ø 0.28 (7) for PTFE covered probe
- G. 5.5 (140) for SST probe; 17.1 (435) for PTFE covered probe
- H. Ø 0.86 (22) for SST probe; Ø 0.88 (22.5) for PTFE covered probe
- I. 1 in./1½ in.: s52; 2 in.: s60
- J. Short weight (option W2)
- K. Heavy weight (option W3)

Dimensions are in inches (millimeters).

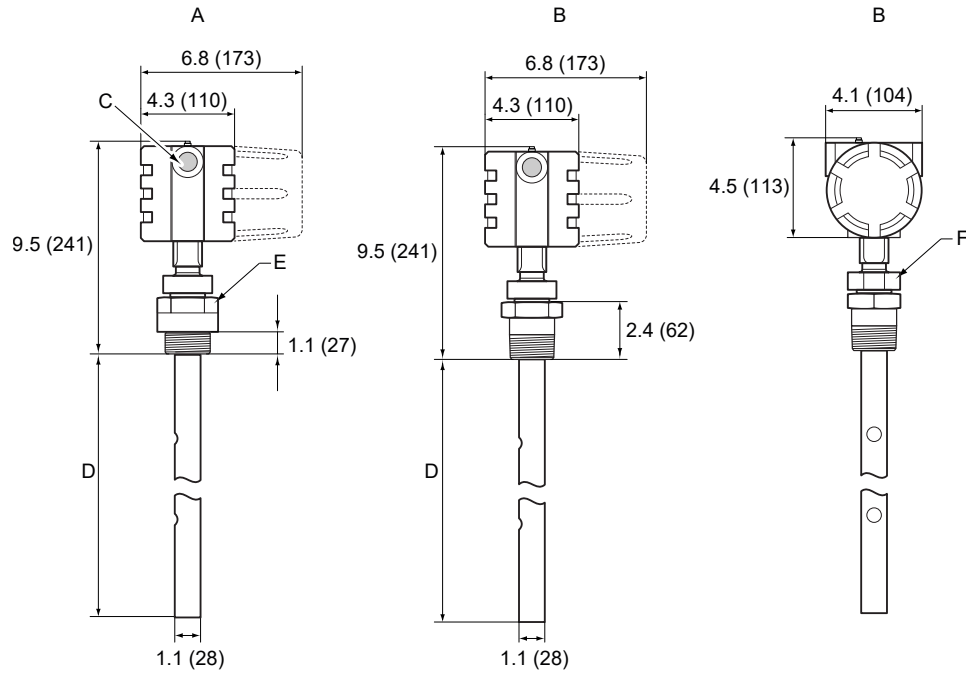
Figure 29: Coaxial Probe with Flange Connection



- A. $L \leq 20$ ft. (6 m)
- B. For stainless steel the probe is welded to the flange.
- C. The alloy probes are designed with a protective plate.

Dimensions are in inches (millimeters).

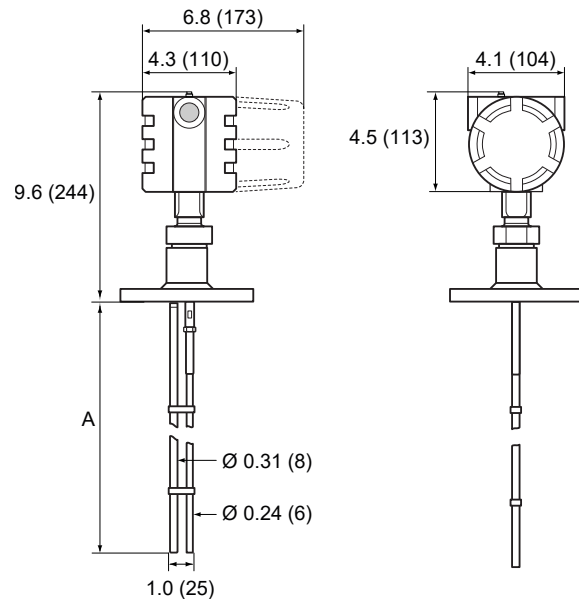
Figure 30: Coaxial Probe with Threaded Connection



- A. G 1/1½ in.
- B. NPT 1/1½/2 in.
- C. ½ - 14 NPT; optional adapters: M20x1.5
- D. L ≤ 20 ft. (6 m)
- E. s52/s60
- F. 1 in./1½ in.: s52; 2 in.: s60

Dimensions are in inches (millimeters).

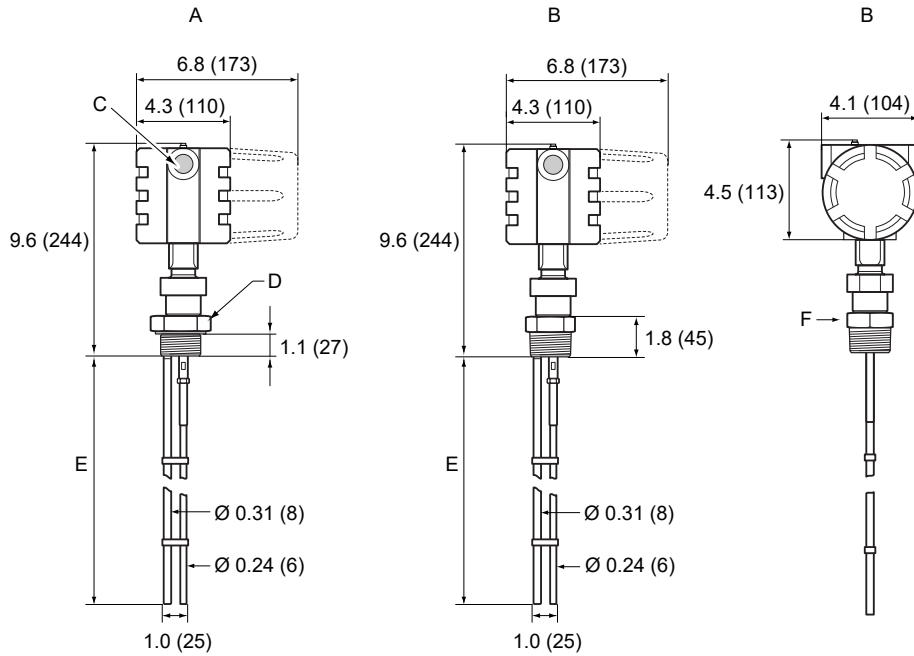
Figure 31: Rigid Twin Lead Probe with Flange Connection



- A. L ≤ 10 ft. (3 m)

Dimensions are in inches (millimeters).

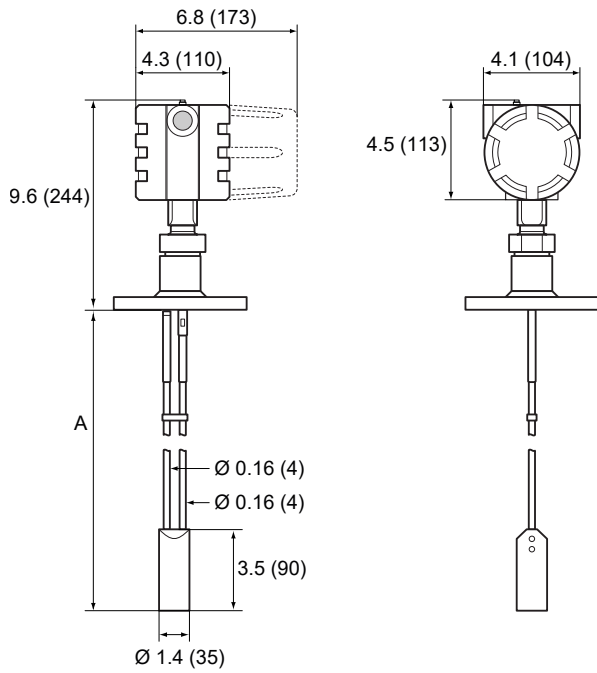
Figure 32: Rigid Twin Lead Probe with Threaded Connection



- A. G 1½ inch
- B. NPT 1½/2 inch
- C. ½ - 14 NPT; optional adapters: M20x1.5, PG13.5
- D. s60
- E. L ≤ 10 ft. (3 m)
- F. 1½ in.: s52; 2 in.: s60

Dimensions are in inches (millimeters).

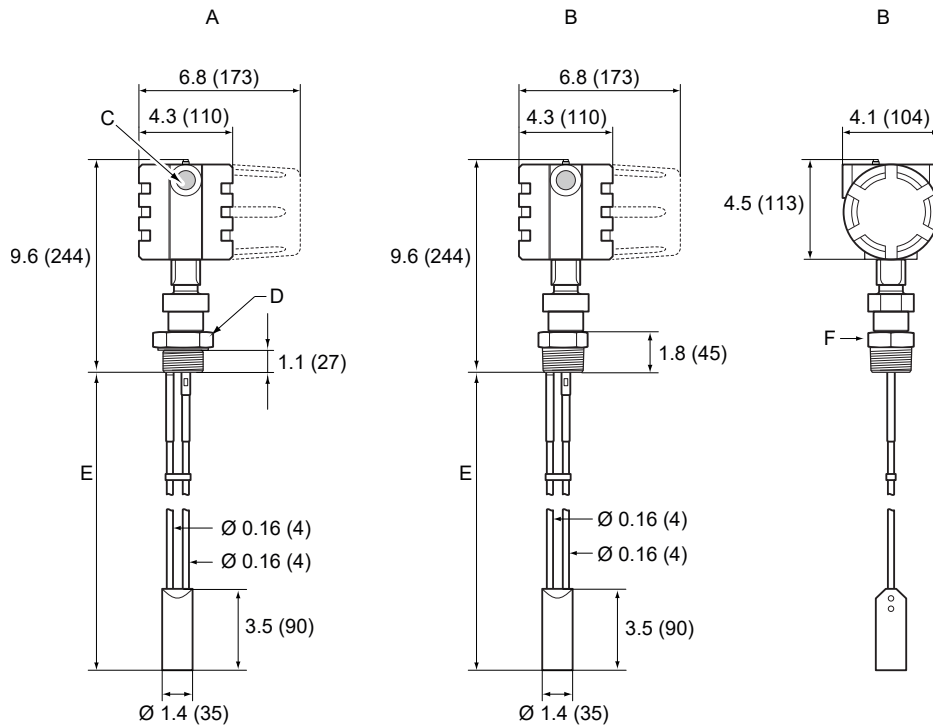
Figure 33: Flexible Twin Lead Probe with Flange Connection



A. $L \leq 10 \text{ ft. (3 m)}$

Dimensions are in inches (millimeters).

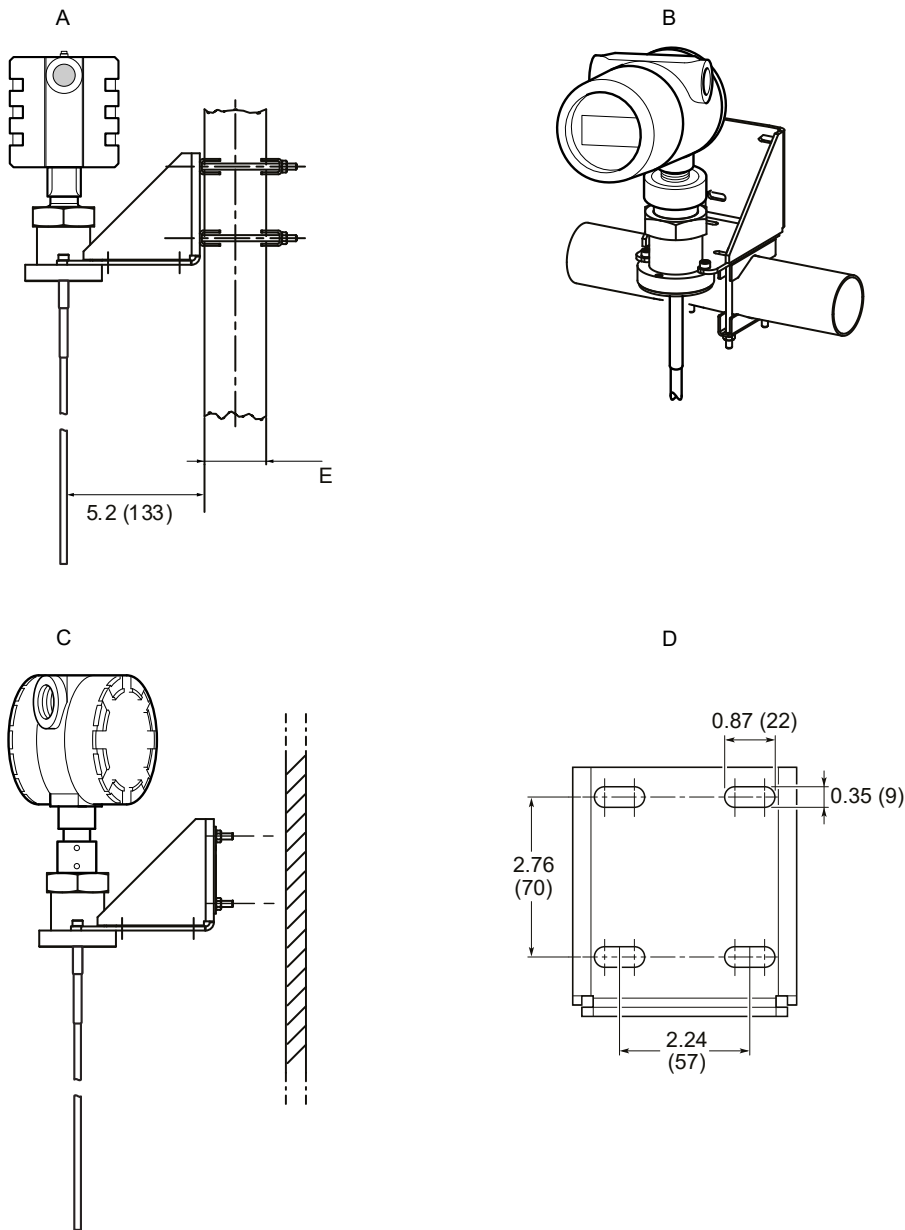
Figure 34: Flexible Twin Lead Probe with Threaded Connection



- A. G 1½ in.
- B. NPT 1½/2 in.
- C. ½ - 14 NPT; optional adapters: M20x1.5, PG13.5
- D. s60
- E. L ≤ 77 ft. (23.5 m)
- F. 1½ in.: s52; 2 in.: s60

Dimensions are in inches (millimeters).

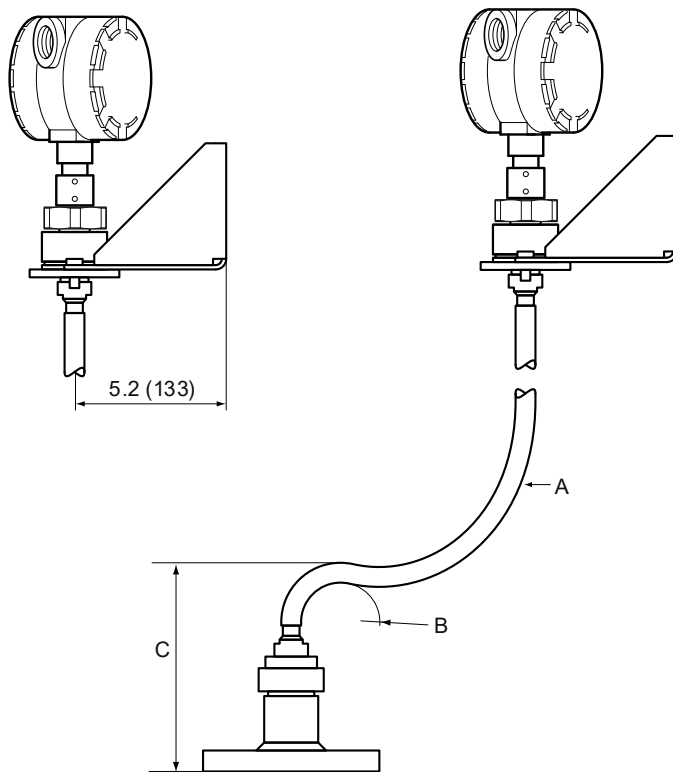
Figure 35: Bracket Mounting



- A. Pipe mounting (vertical pipe)
- B. Pipe mounting (horizontal pipe)
- C. Wall mounting
- D. Hole pattern for wall mounting
- E. Pipe diameter: maximum 2.5 in. (64 mm)

Dimensions are in inches (millimeters).

Figure 36: Remote Housing

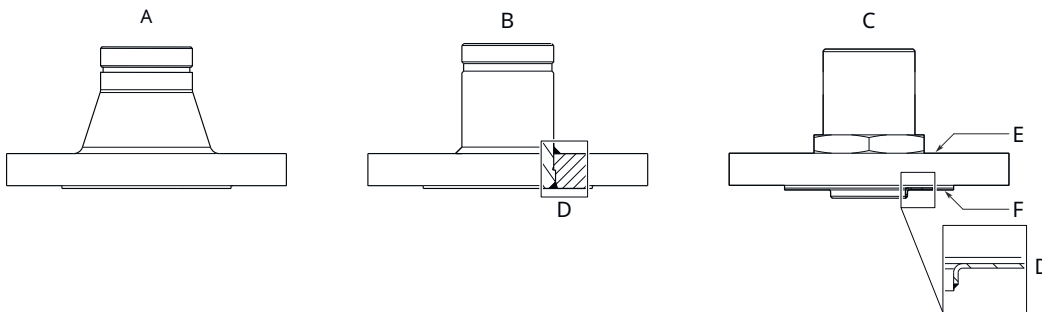


- A. 3, 6, 9 ft. (1, 2, or 3 m)
- B. R_{min} : 1.4 (35)
- C. H_{min} : 7.3 (185)

Dimensions are in inches (millimeters).

Standard flanges

Figure 37: Flange Connection



- A. Forged one-piece
- B. Welded construction
- C. Protective plate design
- D. Weld
- E. Backing flange
- F. Protective plate

Table 24: Standard Flanges

Standard	Face type ⁽¹⁾	Plate surface finish, R _a
ASME B16.5	Raised face	125-250 μin
EN 1092-1	Type A flat face	3.2-12.5 μm
JIS B2220	Raised face	3.2-6.3 μm

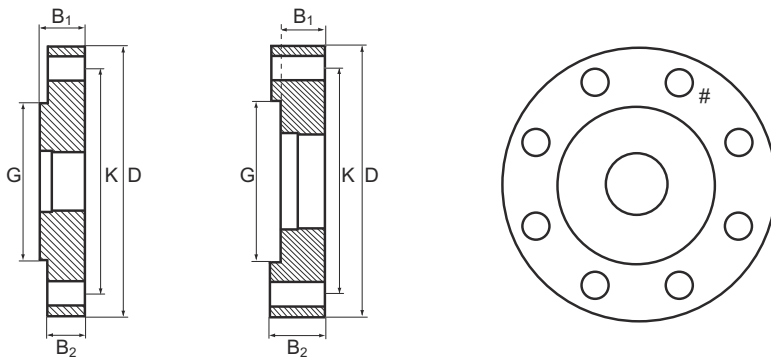
(1) Face gasket surface is serrated per mating standard.

Table 25: Standard Flanges, Protective Plate

Standard	Face type including protective plate	Plate surface finish, R _a
ASME B16.5	Raised face	3.2-6.3 μm
EN 1092-1	Raised face	3.2-6.3 μm
JIS B2220	Raised face	3.2-6.3 μm

Proprietary flanges

Figure 38: Proprietary Flanges



D: Outside diameter

B₁: Flange thickness with gasket surface

B₂: Flange thickness without gasket surface

F=B₁-B₂: Gasket surface thickness

G: Gasket surface diameter

Bolts: Number of bolts

K: Bolt hole circle diameter

Dimensions are in inches (millimeters).

Note

Dimensions may be used to aid in the identification of installed flanges. It is not intended for manufacturing use.

Table 26: Dimensions of Proprietary Flanges

Special flanges ⁽¹⁾	D	B ₁	B ₂	F	G	# Bolts	K
Fisher™ 249B/259B ⁽²⁾	9.00 (228.6)	1.50 (38.2)	1.25 (31.8)	0.25 (6.4)	5.23 (132.8)	8	7.25 (184.2)
Fisher 249C ⁽³⁾	5.69 (144.5)	0.94 (23.8)	1.13 (28.6)	-0.19 (-4.8)	3.37 (85.7)	8	4.75 (120.65)
Masoneilan™ ⁽²⁾	7.51(191.0)	1.54 (39.0)	1.30 (33.0)	0.24 (6.0)	4.02 (102.0)	8	5.87 (149.0)

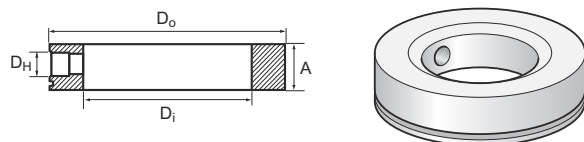
(1) These flanges are also available in a vented version.

(2) Flange with raised face.

(3) Flange with recessed face.

For information about flange temperature and pressure ratings, see [Fisher and Masoneilan flange rating](#).

Flushing connection rings

Figure 39: Flushing Connection Rings

A. Height: 0.97 in. (24.6 mm)

Table 27: Dimensions of Flushing Connection Rings

Flushing connection rings	D _i	D _o	D _H
2-in. ANSI	2.12 (53.8)	3.62 (91.9)	¼-in. NPT
3-in. ANSI	3.60 (91.4)	5.00 (127.0)	¼-in. NPT
4-in. ANSI/DN100	3.60 (91.4)	6.20 (157.5)	¼-in. NPT
DN50	2.40 (61.0)	4.00 (102.0)	¼-in. NPT
DN80	3.60 (91.4)	5.43 (138.0)	¼-in. NPT

For more information: [Emerson.com](https://www.emerson.com)

©2023 Emerson. All rights reserved.

Emerson Terms and Conditions of Sale are available upon request. The Emerson logo is a trademark and service mark of Emerson Electric Co. Rosemount is a mark of one of the Emerson family of companies. All other marks are the property of their respective owners.

ROSEMOUNT™

