

ASCO™ Gas Shutoff Valves

Pilot Operated | 3/8" - 3" NPT

**2/2
SERIES
S261**

Features

- 2-way normally closed operation
- Die-cast aluminum bodies
- Zero differential piloted diaphragm
- For on-off control of fuel gas in commercial and industrial gas burners
- Valves provided with 1/8" NPT upstream and downstream pipe taps with plug for routine testing
- Broad ambient temperature range -20°F up to 170°F

Fluid

Fuel Gas

Construction

Valve Parts in Contact with Fluids	
Body	Aluminum
Seals and Disc	NBR
Core Tube	305 Stainless Steel
Core and Plugnut	430F Stainless Steel
Core Guide	CA
Springs	302F Stainless Steel
Shading Coil	Copper
Pipe Plug	Zinc-Plated Steel

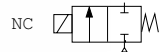
Electrical

Standard Coil and Class of Insulation	Watt Rating and Power Consumption			Ambient Temp. °F	Spare Coil Family
	AC				General Purpose
	Watts	VA Holding	VA Inrush		AC
F	10.5	21	69	-20 to 167 (-29 to 75)	529027
F	15.4	27	162	-20 to 170 (-29 to 77)	529029
F	28.2	55	451	-20 to 170 (-29 to 77)	529031

Standard Voltages: 120 volts, AC 60 Hz

Optional Voltages: 24, 240 volts AC, 60 Hz

S261 catalog number includes codification for voltage. However voltage must be specified when ordering spare coil.



Solenoid Enclosures

Standard: Type 1 General Purpose Junction Box Housing with two 7/8" knock-outs.

Valve Response Time

Opening Time: Less than 1 second

Closing Time: Less than 1 second

Close-off Pressure

50 psi (3.5 bar) maximum

Approvals

UL listed to standard 429 "Electrically Operated Valves," Guide YIOZ, File MP932 Safety Valves.

FM Approved to Class 7400 "Liquid and Gas Safety Shutoff Valves"

CSA Certified to Automatic Gas Valves ANSI Z21.21, CSA 6.5 C/I (meets standard C22.2 No. 139 "Electrically Operated Valves"), File 112872

**2/2
SERIES
S261**

Specifications English units (Metric)

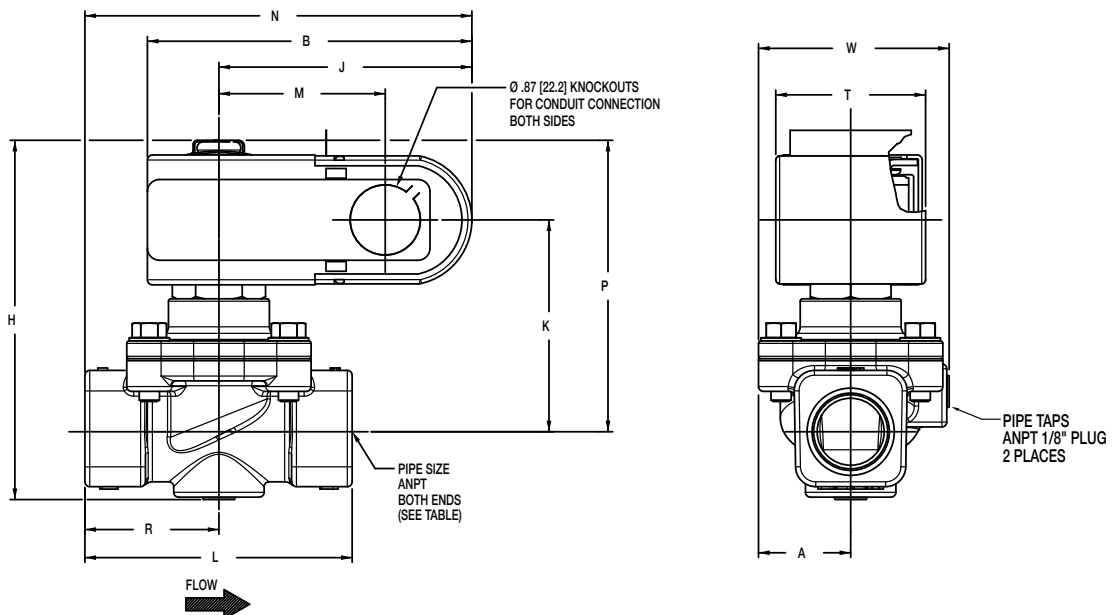
Pipe Size in	Orifice Size in (mm)	Flow Factor Cv (Kv)	Gas Capacity ① Btu/hr.	Operating Pressure Differential psi (bar)		Max. Fluid Temp. °F (°C)	Catalog Number			Const. Ref.	Agency			Wattage	Approx. Shipping Weight lbs (kgs)
				Min.	Max.		24/60	120/60	240/60		UL	FM	CSA		
COMBUSTION (Fuel Gas) - NORMALLY CLOSED															
3/8"	3/4" (19)	4.2 (3.6)	225,000	0	30 (2.1)	140 (60)	S261SH01N3CG5	S261SH02N3CG5	S261SH04N3CG5	1	○	○	○	10.5	1.5 (0.7)
1/2"	3/4" (19)	5.4 (4.7)	291,200	0	30 (2.1)	140 (60)	S261SH01N3DG5	S261SH02N3DG5	S261SH04N3DG5	1	○	○	○	10.5	1.5 (0.7)
3/4"	3/4" (19)	8.0 (6.9)	415,200	0	30 (2.1)	140 (60)	S261SH01N3EG5	S261SH02N3EG5	S261SH04N3EG5	2	○	○	○	10.5	1.7 (0.8)
1"	1-5/8" (41)	18.1 (15.7)	976,000	0	25 (1.7)	140 (60)	S261SH01N3FJ5	S261SH02N3FJ5	S261SH04N3FJ5	3	○	○	○	15.4	2.9 (1.3)
1-1/4"	1-5/8" (41)	32.0 (28)	1,730,000	0	25 (1.7)	140 (60)	S261SH01N3GJ7	S261SH02N3GJ7	S261SH04N3GJ7	4	○	○	○	15.4	3.9 (1.8)
1-1/2"	1-5/8" (41)	35.0 (30)	1,900,000	0	25 (1.7)	140 (60)	S261SH01N3HJ7	S261SH02N3HJ7	S261SH04N3HJ7	4	○	○	○	15.4	3.7 (1.7)
2"	3" (76)	83.0 (72)	4,487,000	0	25 (1.7)	140 (60)	-	S261SH02N3JK4	S261SH04N3JK4	5	○	○	○	28.2	14.0 (6.4)
2-1/2"	3" (76)	117 (101)	5,821,000	0	25 (1.7)	140 (60)	-	S261SH02N3KK4	S261SH04N3KK4	5	○	○	○	28.2	13.5 (6.2)
3"	3" (76)	138 (119)	7,430,000	0	25 (1.7)	140 (60)	-	S261SH02N3LK4	S261SH04N3LK4	5	○	○	○	28.2	13.0 (5.9)

○ = Safety Shutoff Valve. ① 1" W.C. Drop @ 2" W.C. Inlet Pressure, 1,000 Btu/cu.ft. or more, 0.64 Specific Gravity Gas.

Dimensions inches (mm)

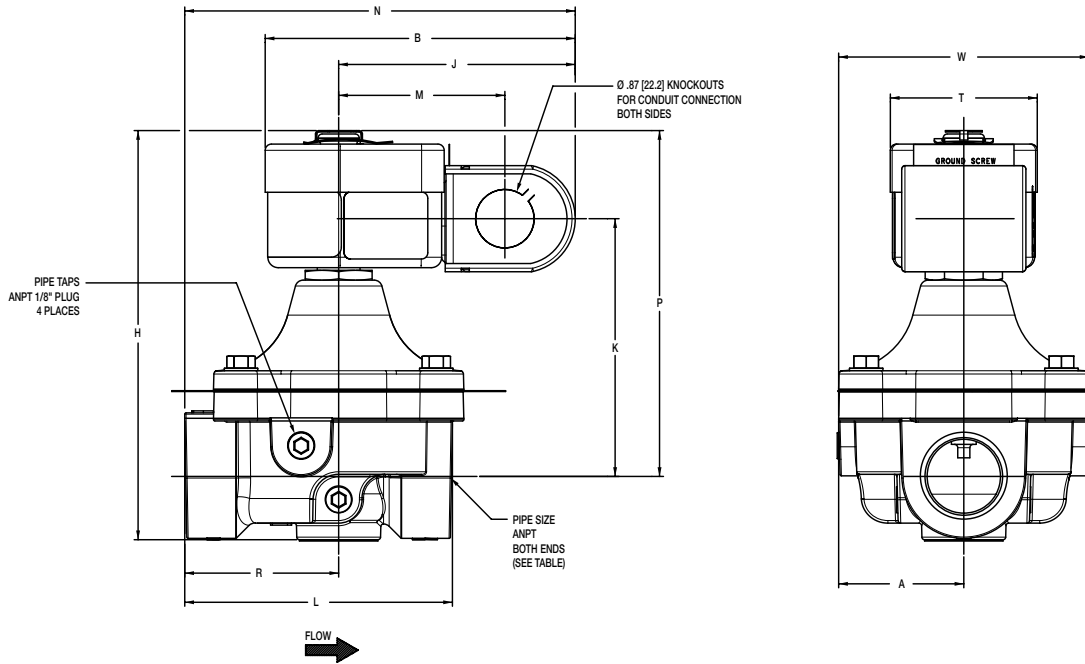
Const. Ref.		A	B	H	J	K	L	M	N	P	R	T	W	Mounting Position
1	in	1.10	4.00	4.00	3.10	2.40	2.80	2.10	4.50	3.40	1.40	1.90	2.40	Above
	mm	29	102	102	80	62	70	52	114	87	35	47	60	Horizontal
2	in	1.10	4.00	4.5	3.1	2.6	3.3	2.1	4.8	3.6	1.7	1.9	2.4	Above
	mm	29	102	113	80	67	84	52	122	92	42	47	60	Horizontal
3	in	1.9	4.6	6.1	3.5	3.9	4	2.5	5.8	5.1	2.3	2.2	3.8	Vertical & Upright
	mm	48	118	155	90	98	102	63	148	131	58	56	95	Vertical & Upright
4	in	2.7	4.6	6.7	3.5	4.1	5	2.5	6.2	5.4	2.6	2.2	5.4	Vertical & Upright
	mm	68	118	170	90	105	127	63	156	138	67	56	137	Vertical & Upright
5	in	4.1	5.8	10.3	4.1	5.7	7.8	3.1	8	7.9	3.9	3.3	7.9	Vertical & Upright
	mm	105	147	261	105	146	198	78	203	202	99	84	202	Vertical & Upright

Const. Ref. 1, 2

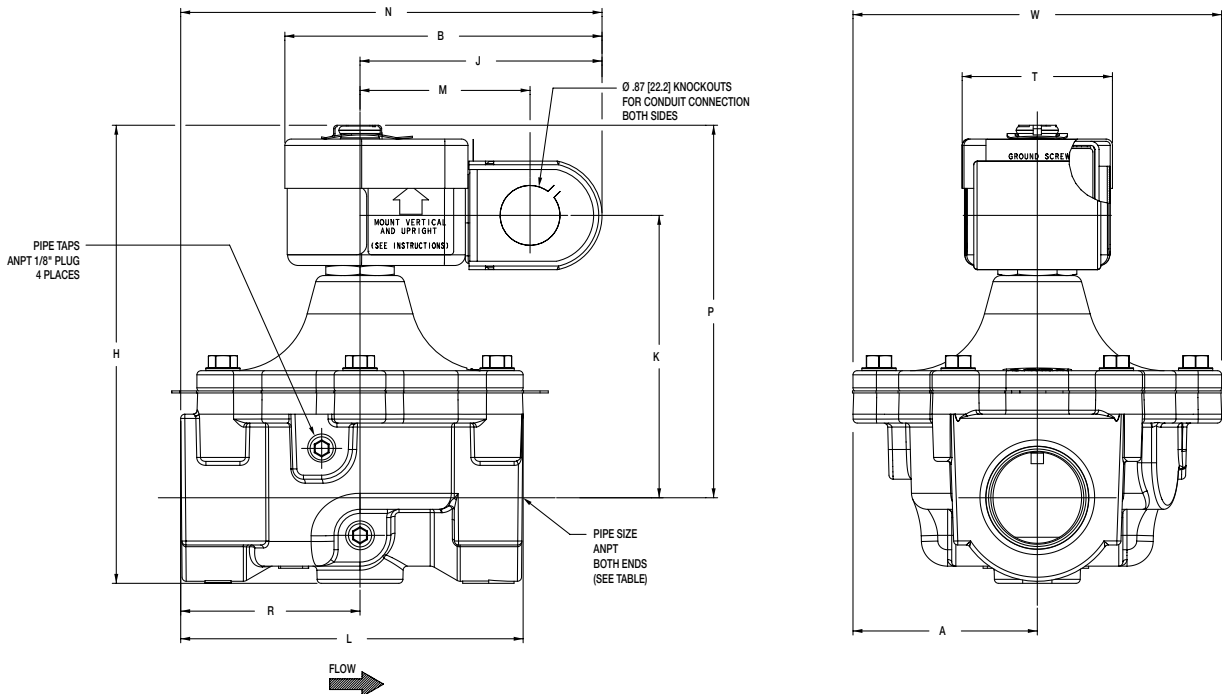


Dimensions inches (mm)

Const. Ref. 3



Const. Ref. 4



**2/2
SERIES
S261**

Dimensions inches (mm)

Const. Ref. 5

