

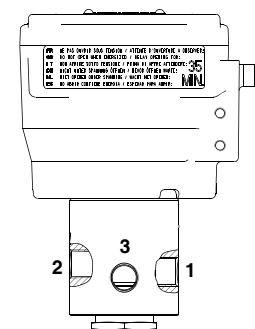
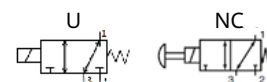
ASCO™ Series Solenoid Valve

Direct Operated Auto Reset
Manual Reset Type (NVR)

3/2
Series
307

Features

- ASCO unique 8-shaped spool seal design eliminates stiction (valve stuck)
- Full stainless steel 316L version suitable for NACE environments/ applications (compliance with NACE MR0175)
- Direct Acting Construction with balanced poppet design utilizes smaller spring force and reduces coil power consumption
- ATEX / IECEx approval (II 2G Ex d IIC Gb T6 IP67)
- H Class coil construction
- Specially designed seals for low friction
- Special Rider rings eliminate sticking and provide exceptionally long service life
- No Voltage Release (NVR) function ensures valve trips on demand (de-energize)
- SIL certified as per IEC61508
- Solenoid valves satisfy all relevant EC directives



3/2 Way Construction

General Specifications

Product complies with NACE MR0175

Differential pressure	0 - 10 bar (1bar = 100kPa)
Fluids	Direct Acting: Air, Gas, Sour Natural Gas Manual Reset: Air, Gas
Response time	< 100 ms
Temperature range (TS)	Direct operated: -40°C to +60°C Manual reset : -40°C to +60°C

Materials in Contact with Fluid

(*) Ensure that the compatibility of the fluids in contact with the materials is verified

Body	AISI 316L SS
Stem	AISI 316L SS
Spacer	AISI 316L SS
Guide	AISI 316L SS
Sealing & poppets	LTFKM

Specifications

Pipe Size	Orifice	Flow Coefficient Kv		Operating Pressure Differential (bar)		Power Level		Electrical Connections
				Min.	Max.(PS) Air / Gas			
NPT	(mm)	(m ³ /h)	(l/min)		AC/DC	AC	DC	
Auto reset, Universal Direct operated								
1/4	7.8	0.47	7.8	0	10	-	3.6W	1/2" NPT threaded cable entry M20 x 1.5 threaded cable entry
1/2	7.8	0.85	14.1	0	10	-	10W	1/2" NPT threaded cable entry M20 x 1.5 threaded cable entry
Manual reset, Normally Close								
1/4	7.8	0.47	7.8	0	10	1.85W	1.8W	1/2" NPT threaded cable entry M20 x 1.5 threaded cable entry

TR000611ENUS-01_04-23 Availability, design and specifications are subject to change without notice. All rights reserved.

Electrical Characteristics

Power Ratings				Operator Ambient Temperature Range (°C) ⁽¹⁾	Safety Code	Electrical Enclosure Protection (EN/IEC 60079-1, 60079-31)#	Replacement Coil / Kit	
Inrush AC	Holding AC		Hot/Cold DC				DC	AC
(VA)	(VA)	(W)	(W)				24V / DC	115V / 50-60 / AC
1.85	1.85	1.85	-	-60 to +60	II 2G/D Ex d II T6..T4 Gb / II 2D Ex tb IIIC Db IP66/67	Flameproof - Aluminium Flameproof - 316L SS IP66 /67	-	400921-598
-	-	-	1.5 / 1.8*				400914-542	-
-	-	-	3.2 / 3.6*				400914-242	-
-	-	-	9 / 10*				400914-342	-

⁽¹⁾Temperature range can be limited by sealing
* Direct operated auto reset function applicable for 24 VDC only
*ATEX solenoids are also approved according to EN 13463 (non electrical valves)

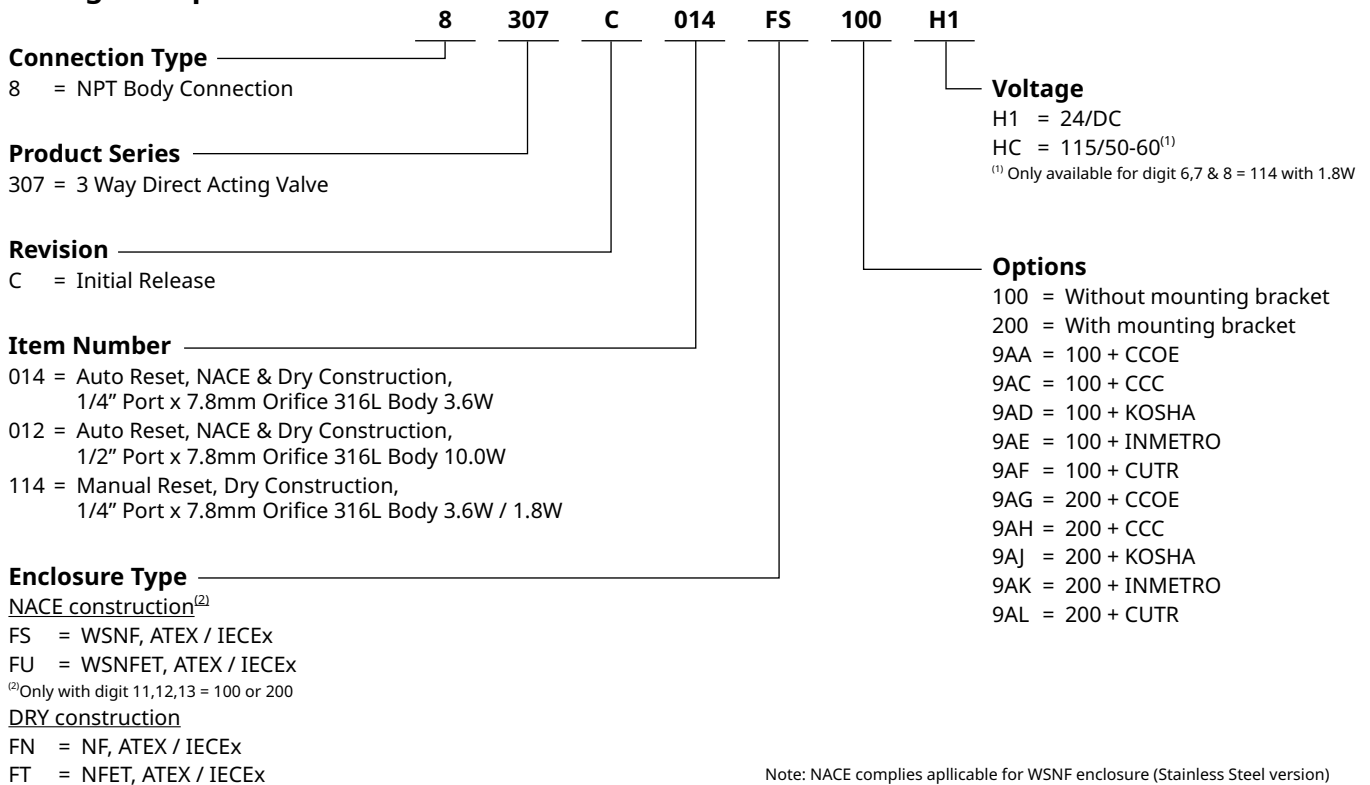
Explanation of Temperature Ranges of Solenoid Valves

- Valve temperature range** The valve temperature range (TS) is determined by the selected seal material, the temperature range for proper operation of the valve and sometimes by the fluid
- Operator ambient temperature range** The operator ambient temperature range is determined by the selected power level range and the ATEX safety code
- Total temperature range** The temperature range of the complete solenoid valve is determined by the limitations of both temperature range above

Installation

- Installation/maintenance instructions are included with each valve
- The solenoid valves can be mounted only in vertical upright position
- The mounting can be done with brackets
- Declarations of conformity are available on request
- To comply with IEC 61508 (SIL) the valves must be provided with a specific protector or equal
- Enclosures are supplied without cable gland

Ordering Examples



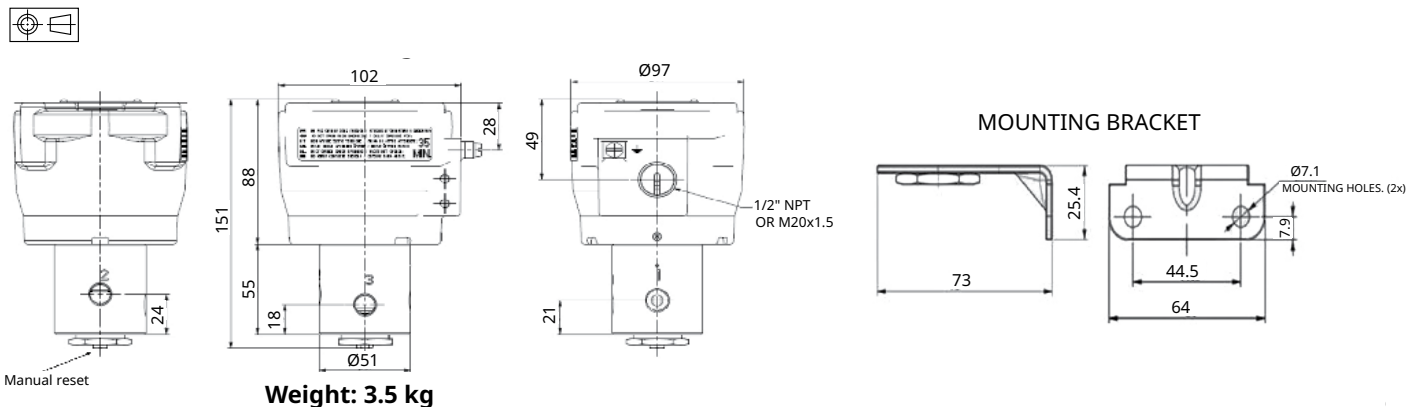
TR000611ENUS-01_04-23

ASCO™ Series Solenoid Valve

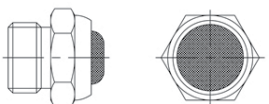
Direct Operated Auto Reset
Manual Reset Type (NVR)

3/2
Series
307

DIMENSIONS(mm), WEIGHT(kg)



Exhaust Protector



Spare Parts Kit

Basic Model	8307C014	8307C012	8307C114
Spare Parts Kit No.	563519-001-SP	563519-002-SP	563519-003-SP

Exhaust Protector Order Number

1/4	ISO 228/1	stainless steel	PV11-00-14-INOX-D
			PV11-00-14-INOX
1/2	NPT		PV11-00-12-INOX-D
			PV11-00-12-INOX